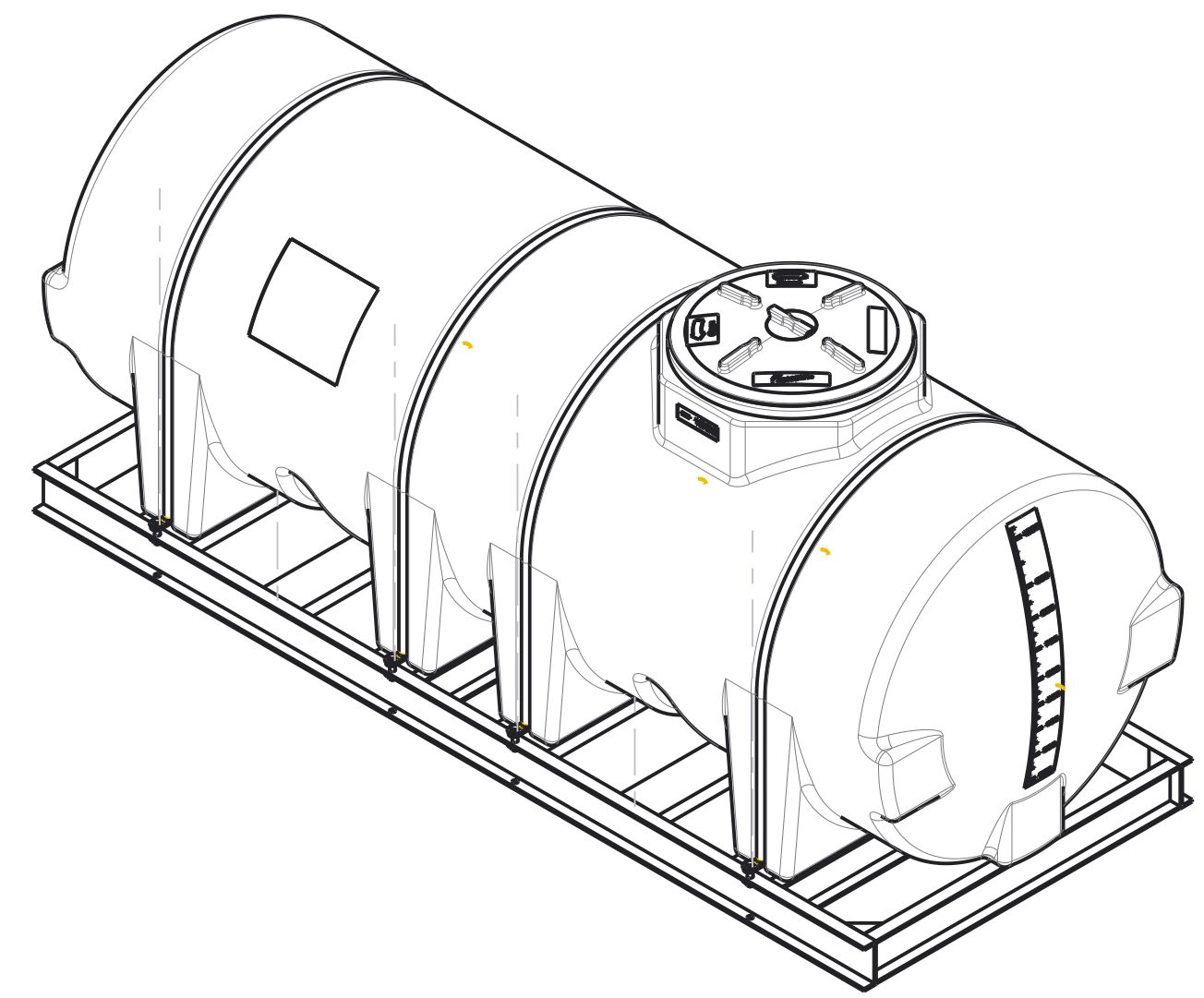
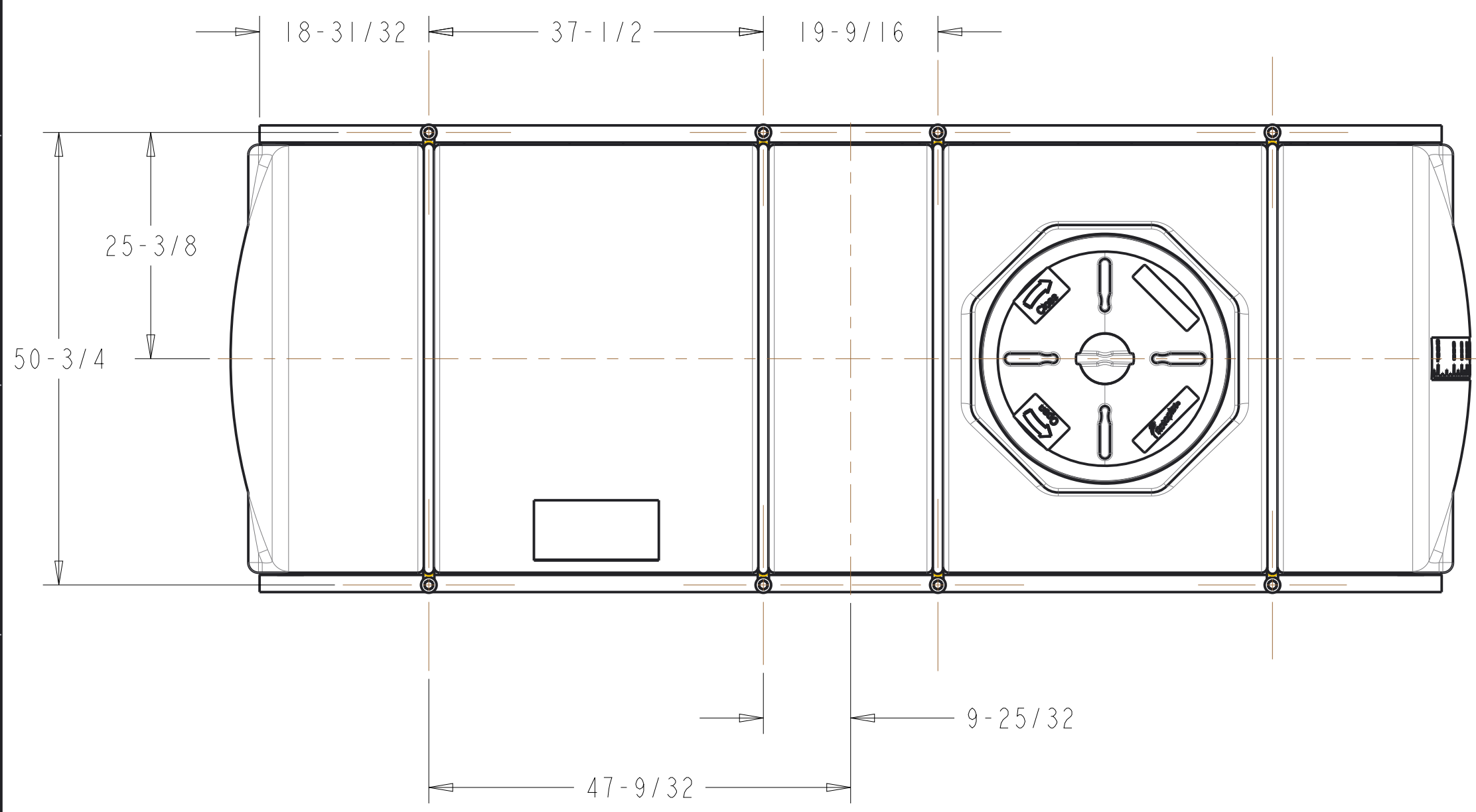
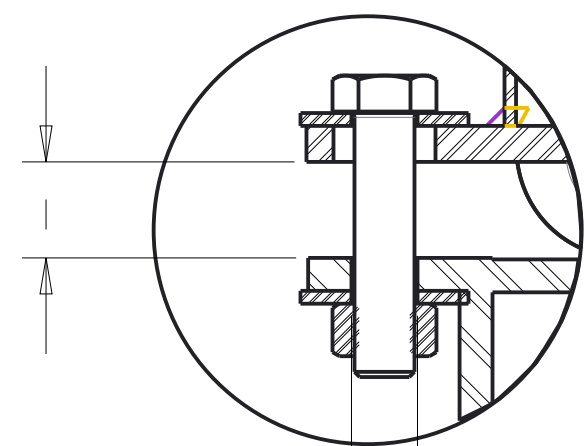


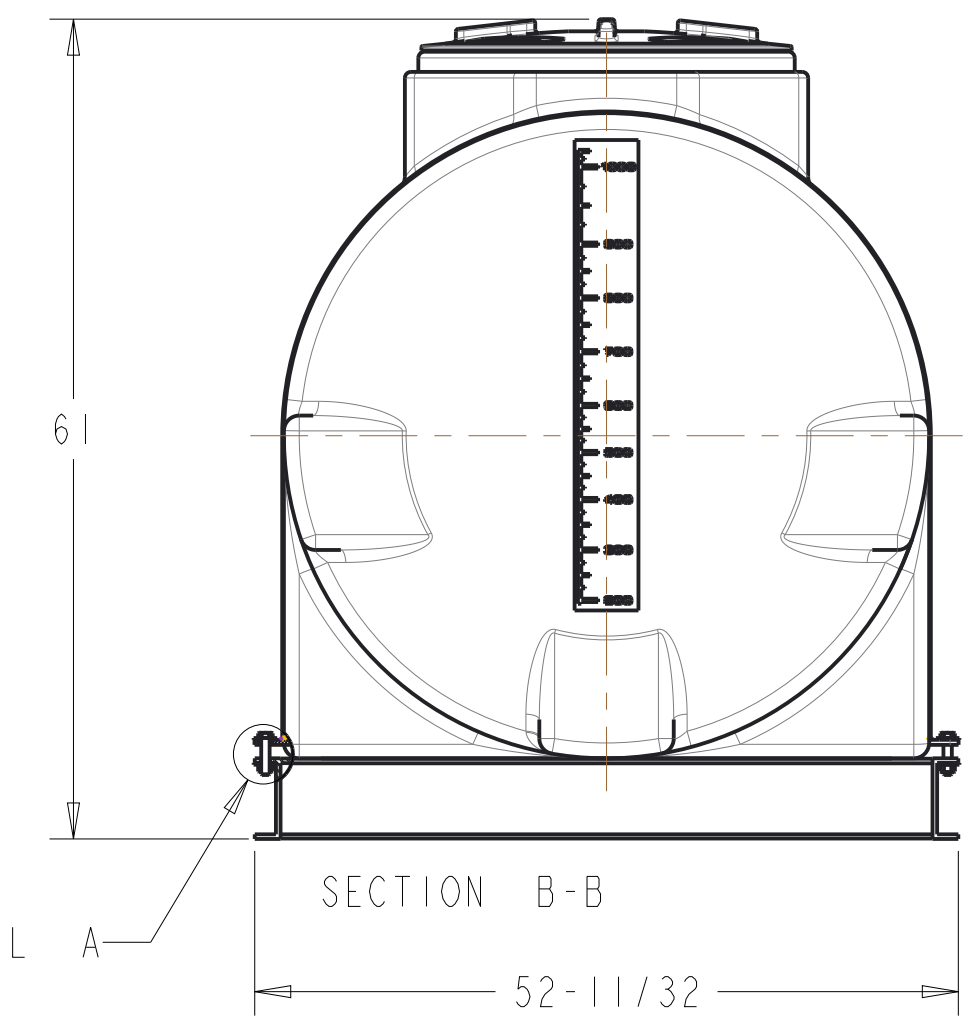
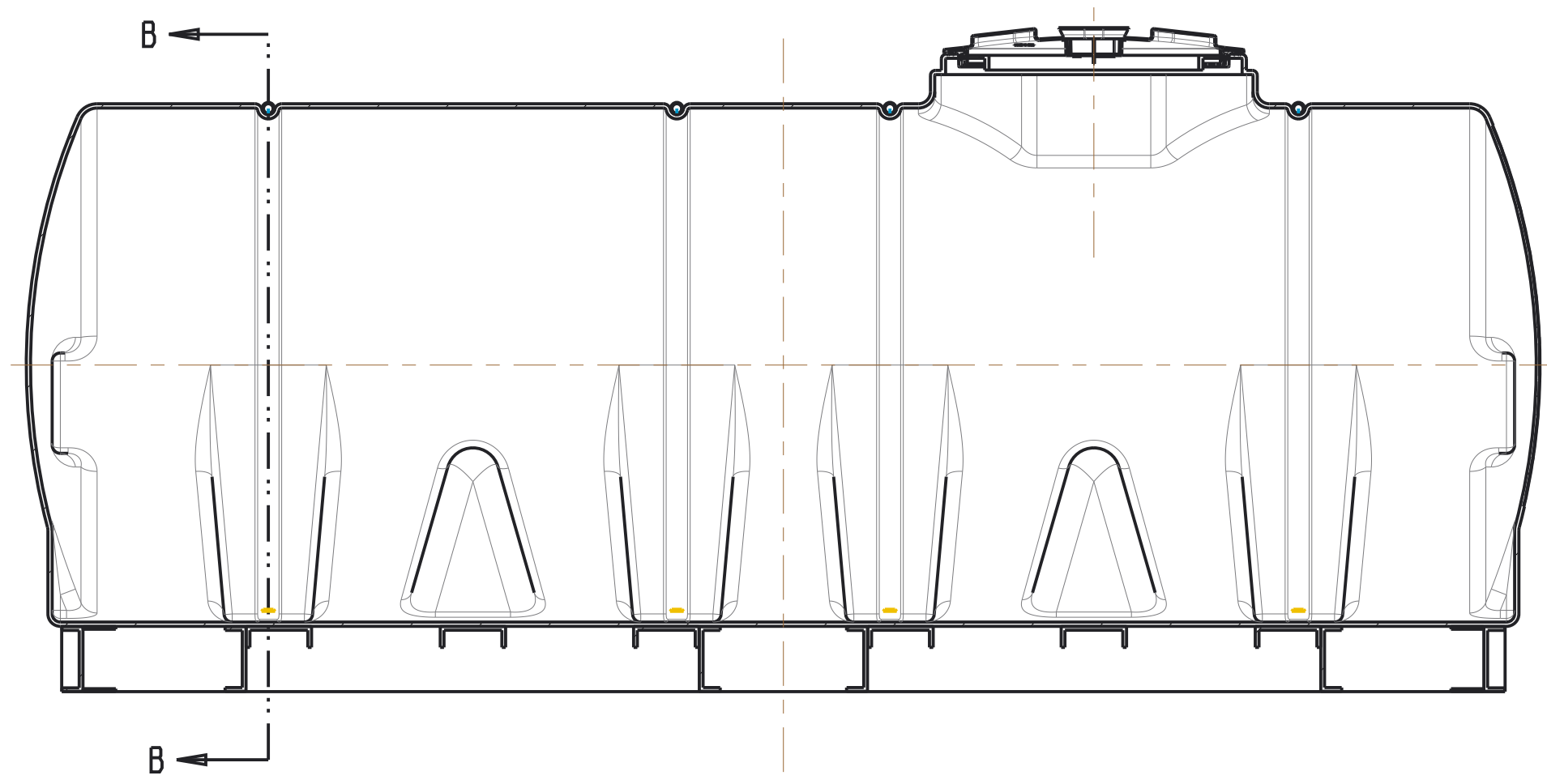
REV.	CHANGE DESCRIPTION	DATE	NAME	APPROVED



SCALE 0.050



DRILL Ø 11/16



SEE DETAIL A

No.	CANT	CODIGO	DESCRIPCION	MATERIAL	OBSERVACIONES
4	1	R-E-1248	STEEL SKID FOR 1025 GAL LEG TANK	CARBON STEEL A-36	
3	4	R-E-1147	HOOP FOR 1025 GALLON LEG TANK	CARBON STEEL A-36	
2	1	R-D-175	HORIZONTAL LEG TANK 1025 GAL	HDPE	---
1	1	A-B-202	END CAP 600 WITH VENT	INDICATED	

SCALE: 0.07	SIZE: A2	DESIGNER BY: Ing. M. Elias	DATE: Jan-13-16	INNOVATION AND DEVELOPMENT CENTER 	MATERIAL:
UNITS: INCH	REVIEWED BY: Ing. F. Guadarrama	DATE:	PROJECT:		FINISHED SURFACE:
PROJECTION:	APPROVED BY: Ing. Joel Pérez	DATE:	DESCRIPTION: 1025 GALLONS HORIZONTAL LEG TANK	REFERENCE DRAWING:	CODE: R-B-644
	RELEASED BY:	DATE:	REV: 0		