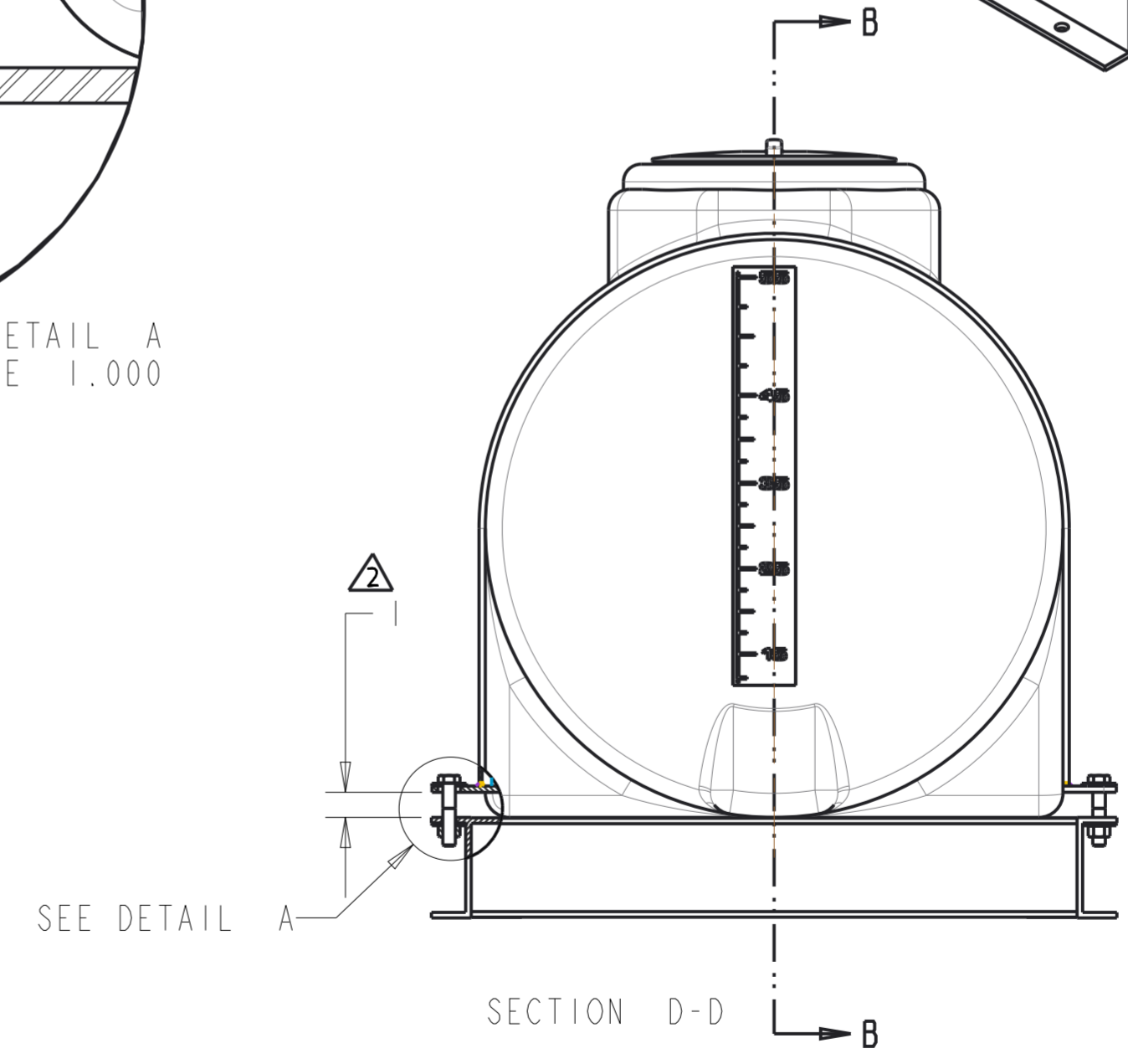
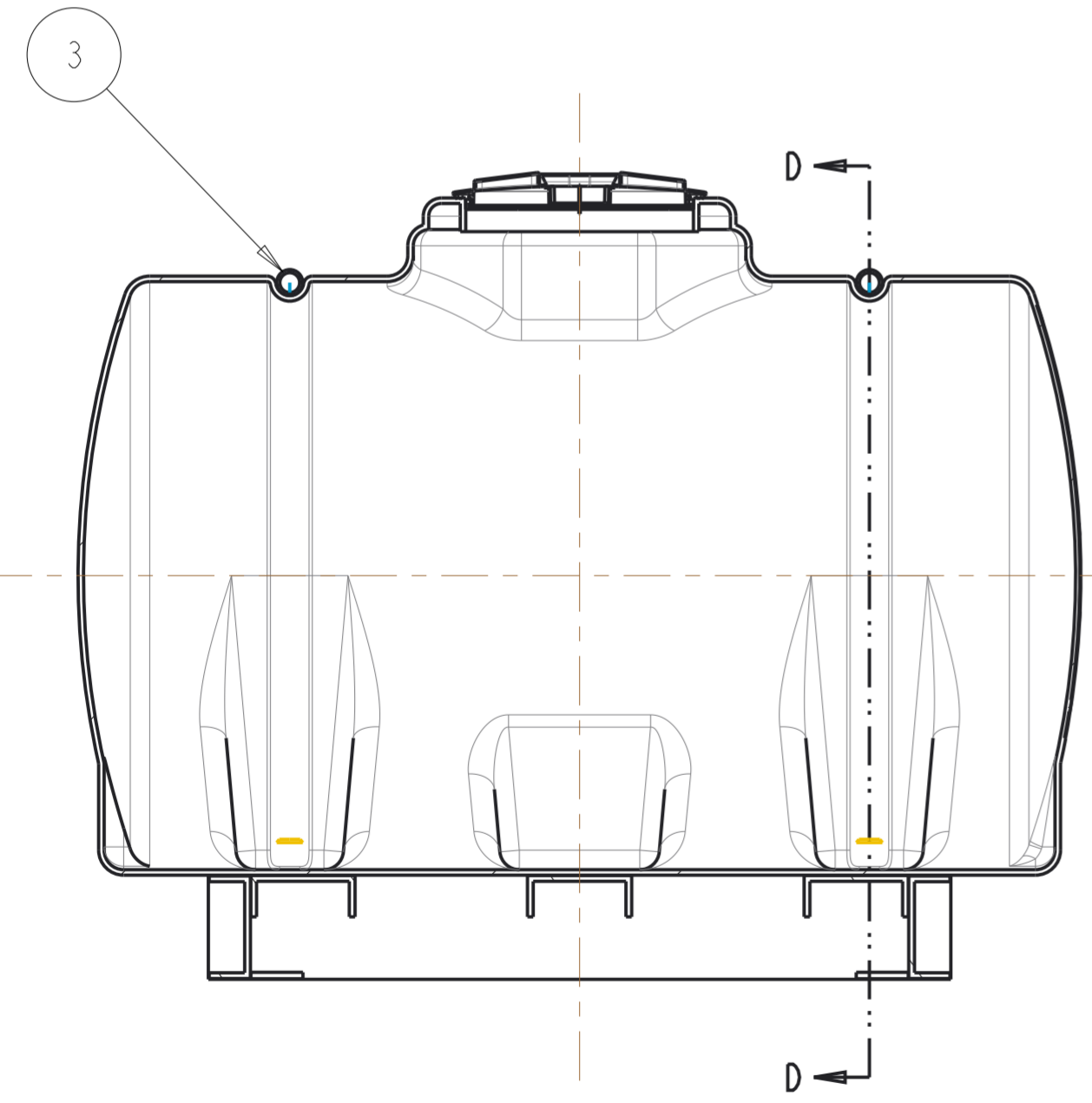
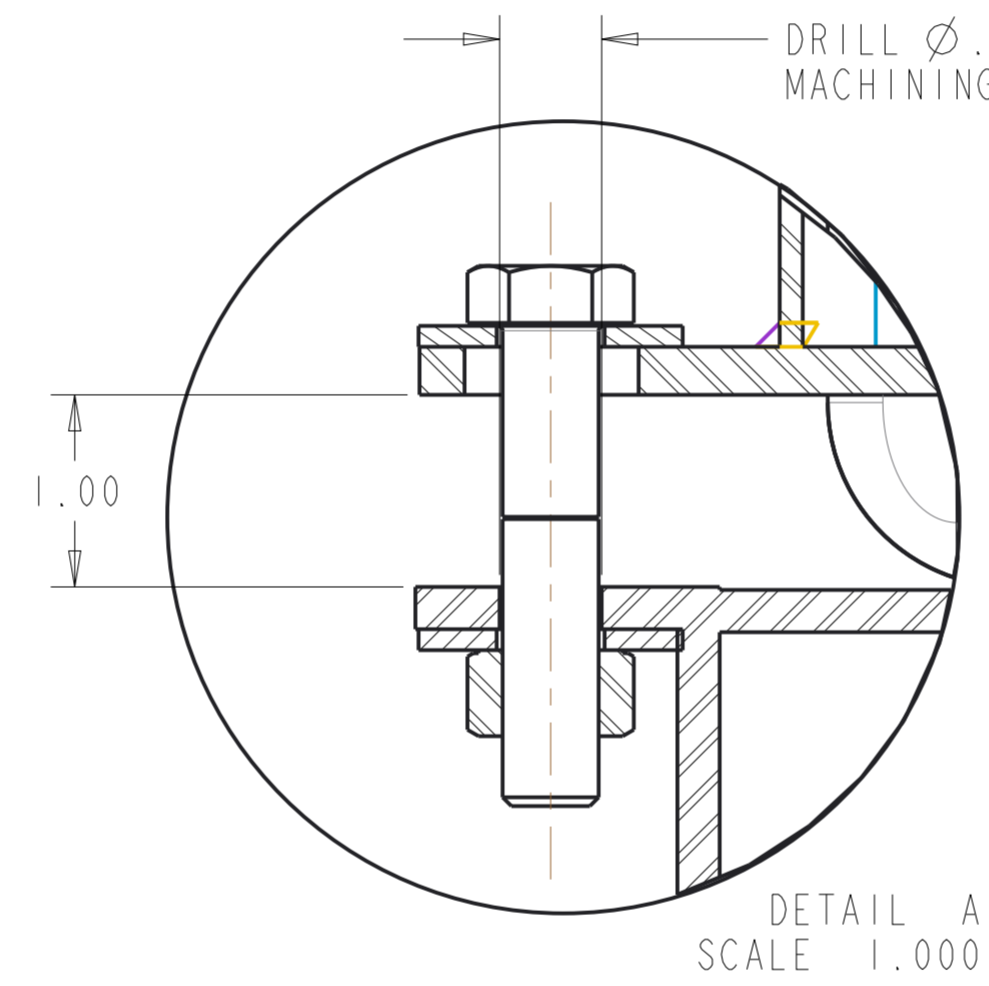
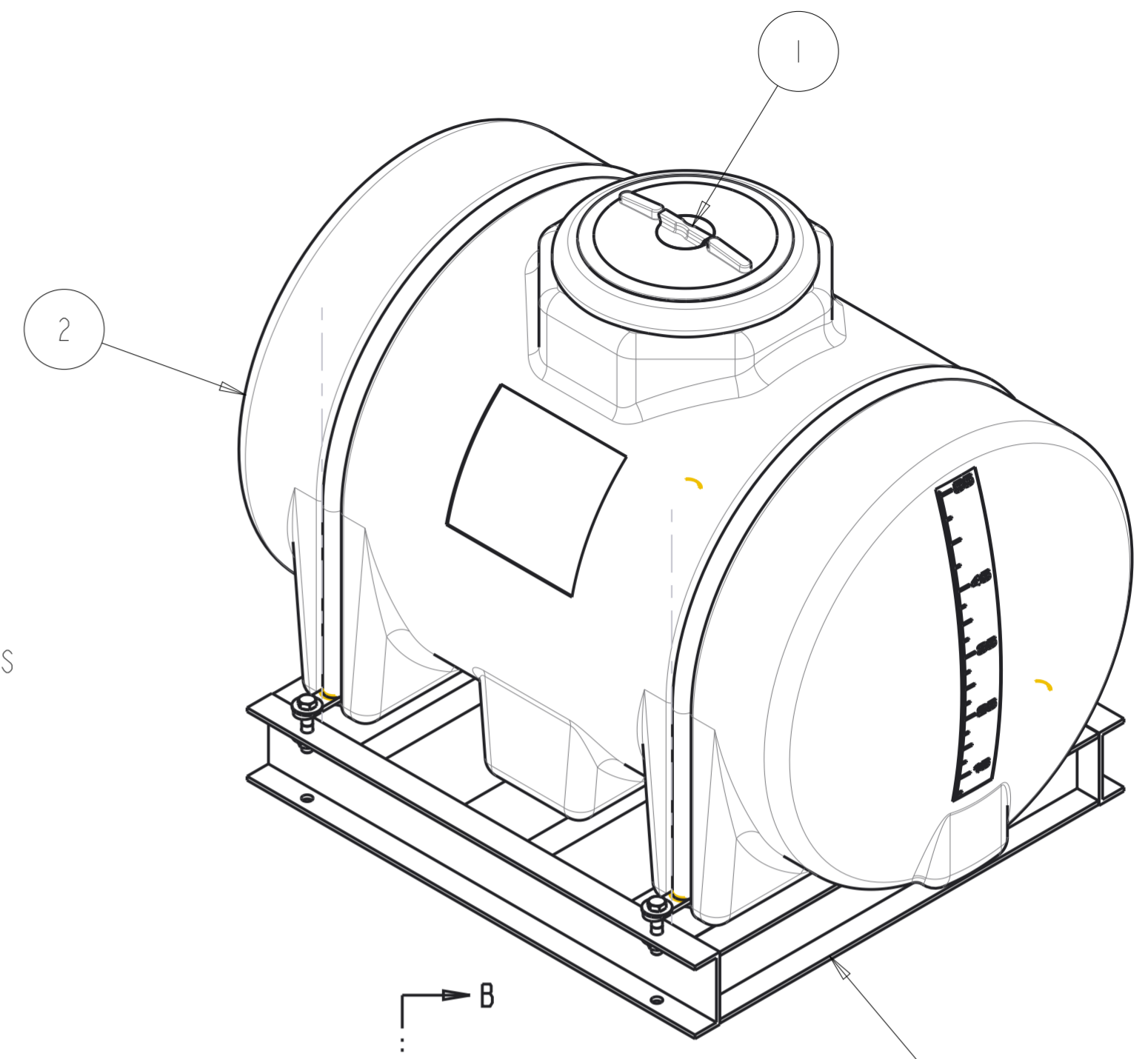
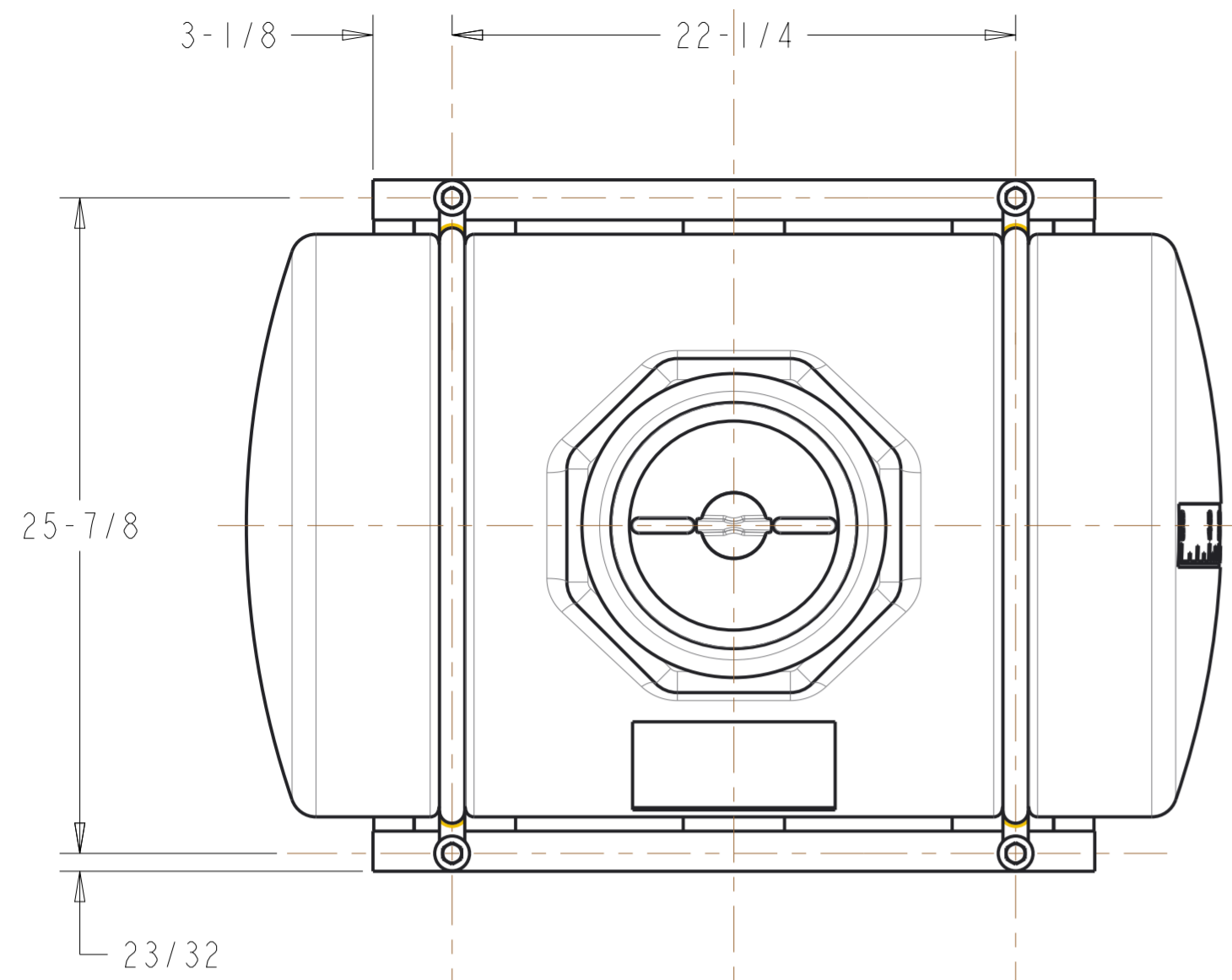


REV.	CHANGE DESCRIPTION	DATE	NAME	APPROVED



SECCIÓN B-B

No.	CANT	CODIGO	DESCRIPCION	MATERIAL	OBSERVACIONES
4	1	R-E-1148	STEEL SKID FOR 55 GAL HOR LEG TANK	CARBON STEEL A36	
3	2	R-E-1141	HOOP FOR 55 GALLON LEG TANK	CARBON STEEL A36	
2	1	R-D-170	55 GALLONS HORIZONTAL LEG TANK	HDPE	---
1	1	A-B-200	END CAP 450 WITH VENT	INDICATED	

ESCALE: 0.16	SIZE: A2	DESIGNER BY: Ing. M. Elias	DATE: Sep-29-15	INNOVATION AND DEVELOPMENT CENTER 	MATERIAL:
UNITS: INCH	PROJECTION:	REVIEWED BY: Ing. F. Guadarrama	DATE:		PROJECT: HORIZONTAL LEG TANKS USA
		APPROVED BY: Ing. Joel Pérez	DATE:		REFERENCE DRAWING:
		RELEASED BY:	DATE:		DESCRIPTION: 55 GALLON HORIZONTAL LEG TANK ASSY
					CODE: R-B-604
					REV: 2