

8" THREADED LID
W/BREATHER

2 1/4"

24"

32"

48"

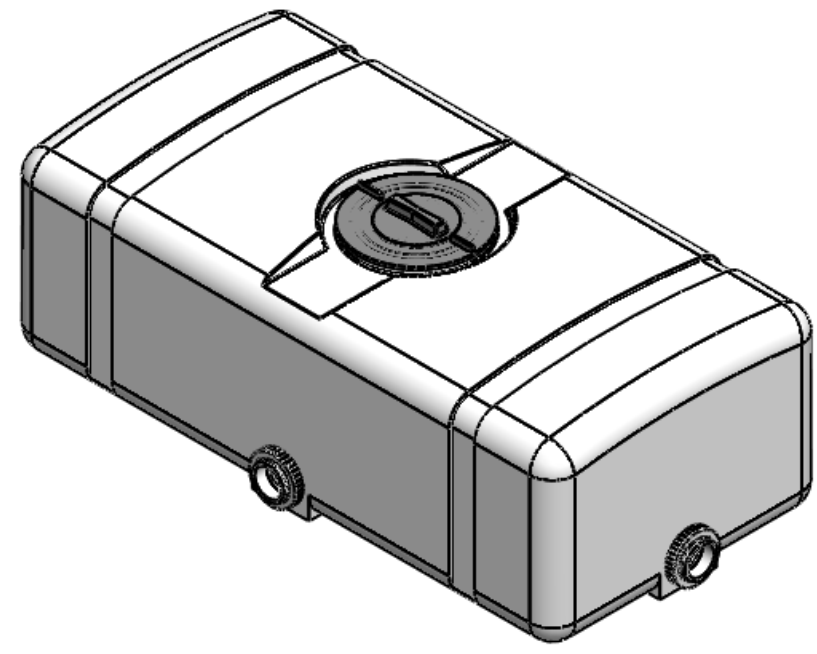
2 1/4"

16"

16 9/16"

2" POLYPRO
INSTALLED LONG SIDE

2" POLYPRO
INSTALLED SHORT SIDE



NOTES:

1. MATERIAL: HDPE
2. WEIGHT: 36 LBS.
3. CAPACITY: 70 GALLONS
4. SPECIFY SHORT OR LONG SIDE FOR FITTING PLACEMENT

PROPRIETARY AND CONFIDENTIAL
THE INFORMATION CONTAINED IN THIS DRAWING IS THE SOLE PROPERTY OF <INSERT COMPANY NAME HERE>. ANY REPRODUCTION IN PART OR AS A WHOLE WITHOUT THE WRITTEN PERMISSION OF <INSERT COMPANY NAME HERE> IS PROHIBITED.

		UNLESS OTHERWISE SPECIFIED:		NAME	DATE
		DIMENSIONS ARE IN INCHES		DRAWN	EBW
		TOLERANCES:		CHECKED	
		FRACTIONAL ±		ENG APPR.	
		ANGULAR: MACH ± BEND ±		MFG APPR.	
		TWO PLACE DECIMAL ±		Q.A.	
		THREE PLACE DECIMAL ±		COMMENTS:	
		INTERPRET GEOMETRIC TOLERANCING PER:		TITLE: 70 GALLON LOW PROFILE RECTANGULAR TANK	
		MATERIAL			
		FINISH		SIZE	DWG. NO.
NEXT ASSY		USED ON		B	70 LPRT
APPLICATION		DO NOT SCALE DRAWING		SCALE: 1:8	WEIGHT:
				REV	
				SHEET 1 OF 1	