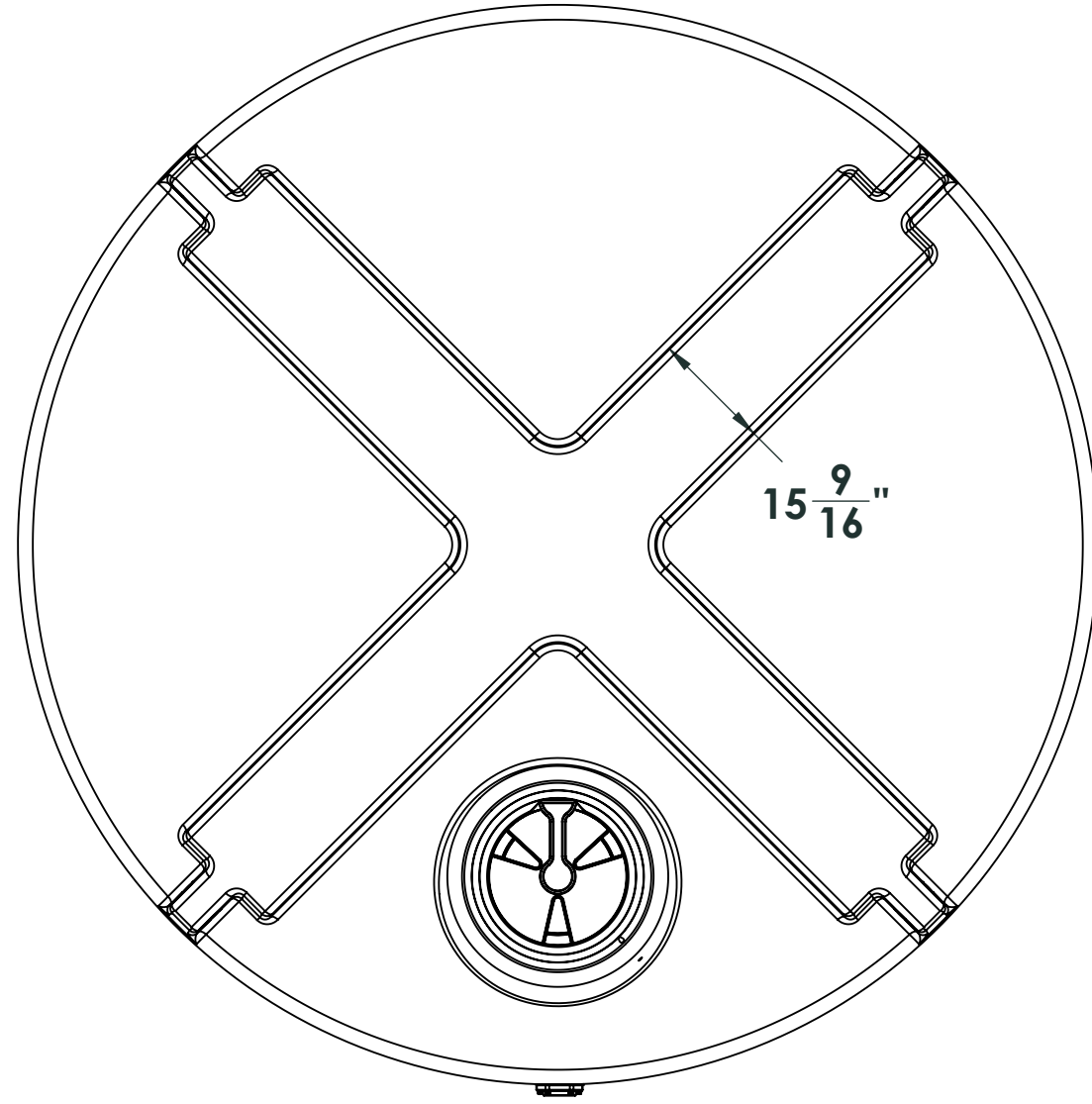


4

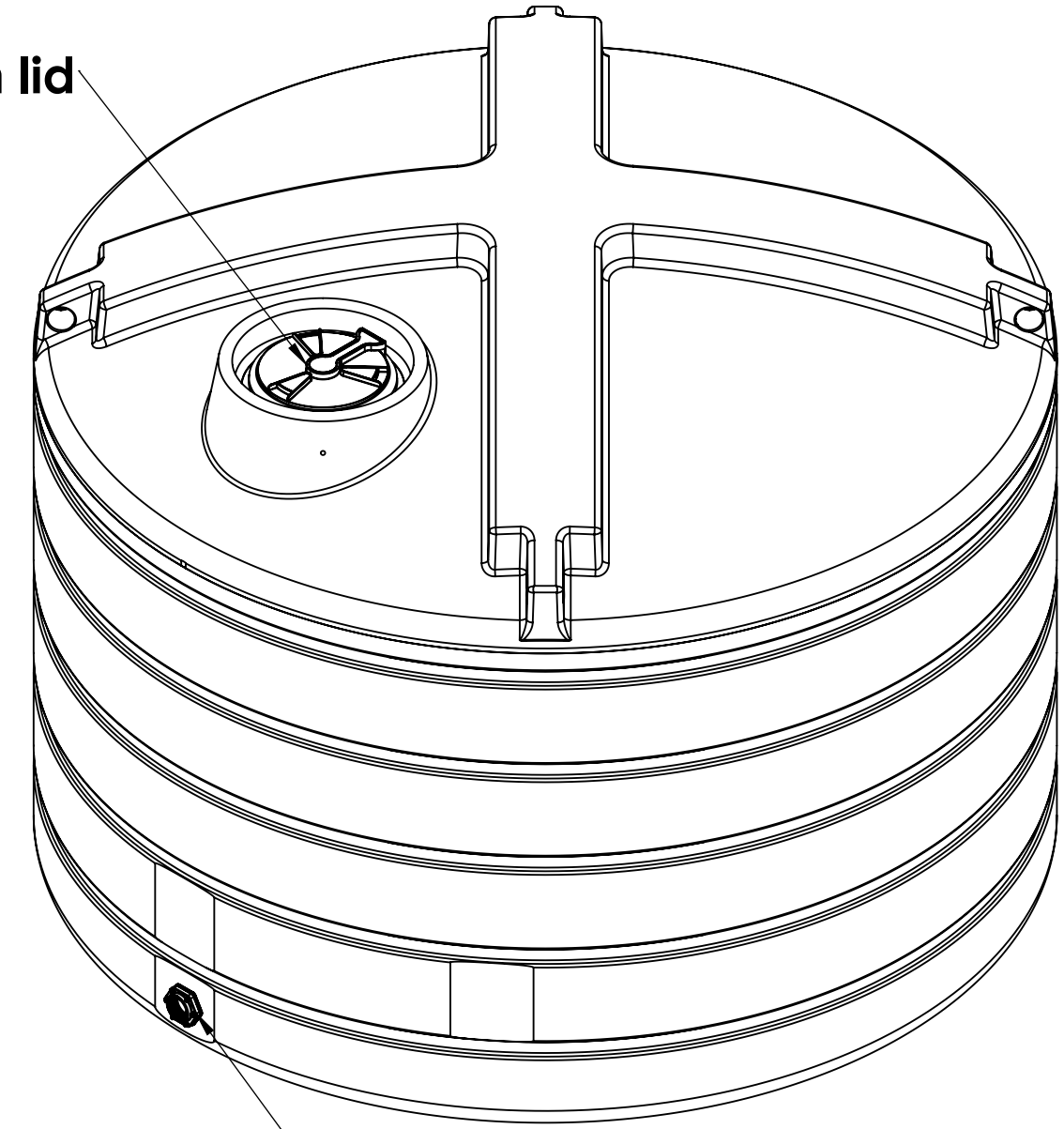
3

2

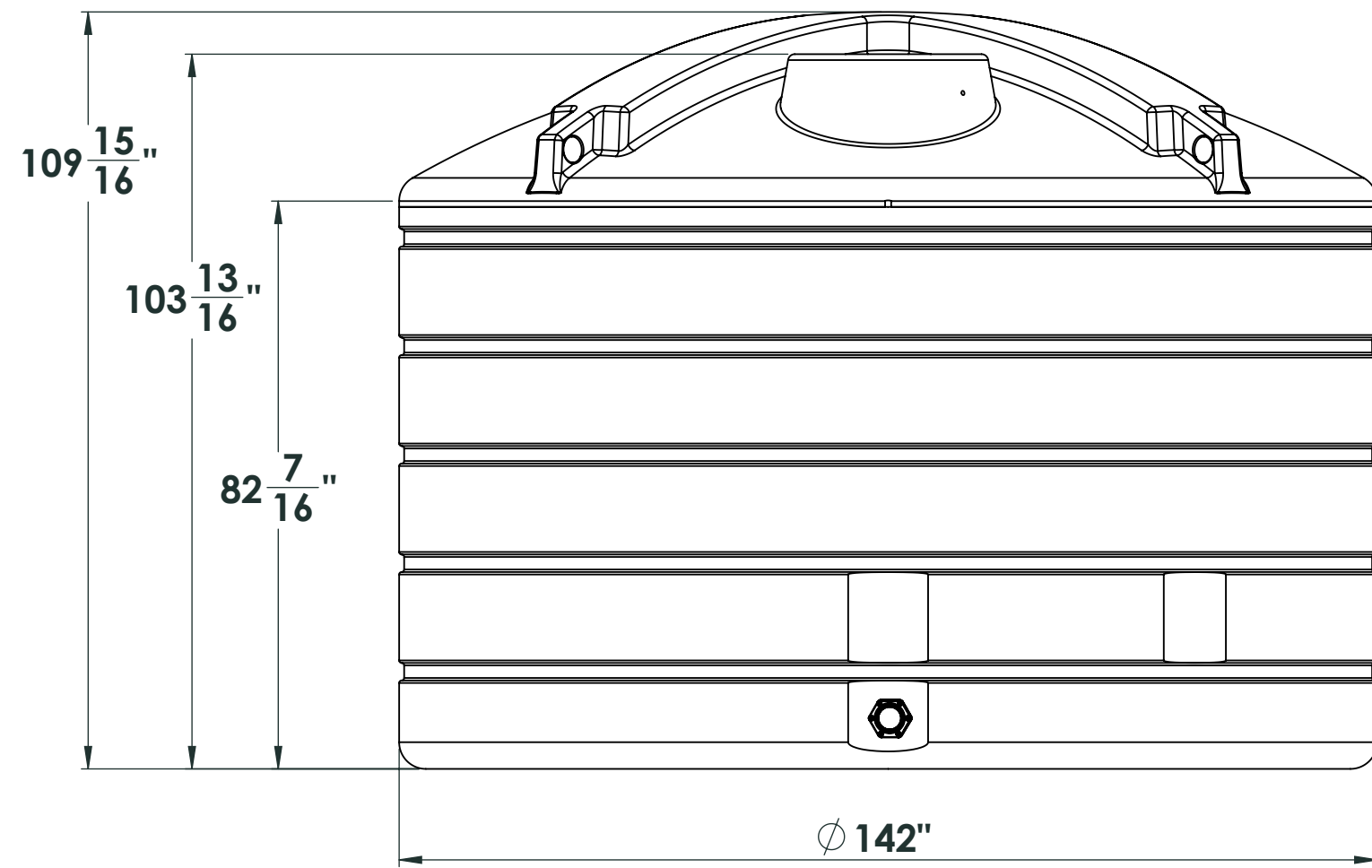
1



16 inch lid



3 inch bolted fitting



NOTE: Allow +/- 1.5% Shrinkage

PROPRIETARY AND CONFIDENTIAL
 THE INFORMATION CONTAINED IN THIS DRAWING IS THE SOLE PROPERTY OF ENDURAPLAS LLC. ANY REPRODUCTION IN PART OR AS A WHOLE WITHOUT THE WRITTEN PERMISSION OF ENDURAPLAS LLC IS PROHIBITED.

| | | | | | | | |
|-----------|---------|--------------------------------------|--|----------------------------------|------|----------------|---------------|
| | | UNLESS OTHERWISE SPECIFIED: | | NAME | DATE | ENDURAPLAS LLC | |
| | | DIMENSIONS ARE IN INCHES | | DRAWN | DNS | 11/1/16 | TITLE: |
| | | TOLERANCES: | | CHECKED | | | THV06011 |
| | | FRACTIONAL ± | | ENG APPR. | | | SIZE DWG. NO. |
| | | ANGULAR: MACH ± BEND ± | | MFG APPR. | | | REV |
| | | TWO PLACE DECIMAL ± | | Q.A. | | | 1 |
| | | THREE PLACE DECIMAL ± | | COMMENTS: | | | |
| | | INTERPRET GEOMETRIC TOLERANCING PER: | | | | | |
| | | MATERIAL | | | | | |
| | | FINISH | | | | | |
| NEXT ASSY | USED ON | APPLICATION | | SCALE: 1:50 WEIGHT: SHEET 1 OF 1 | | | |
| | | DO NOT SCALE DRAWING | | | | | |

4

3

2

1

D

D

C

C

B

B

A

A