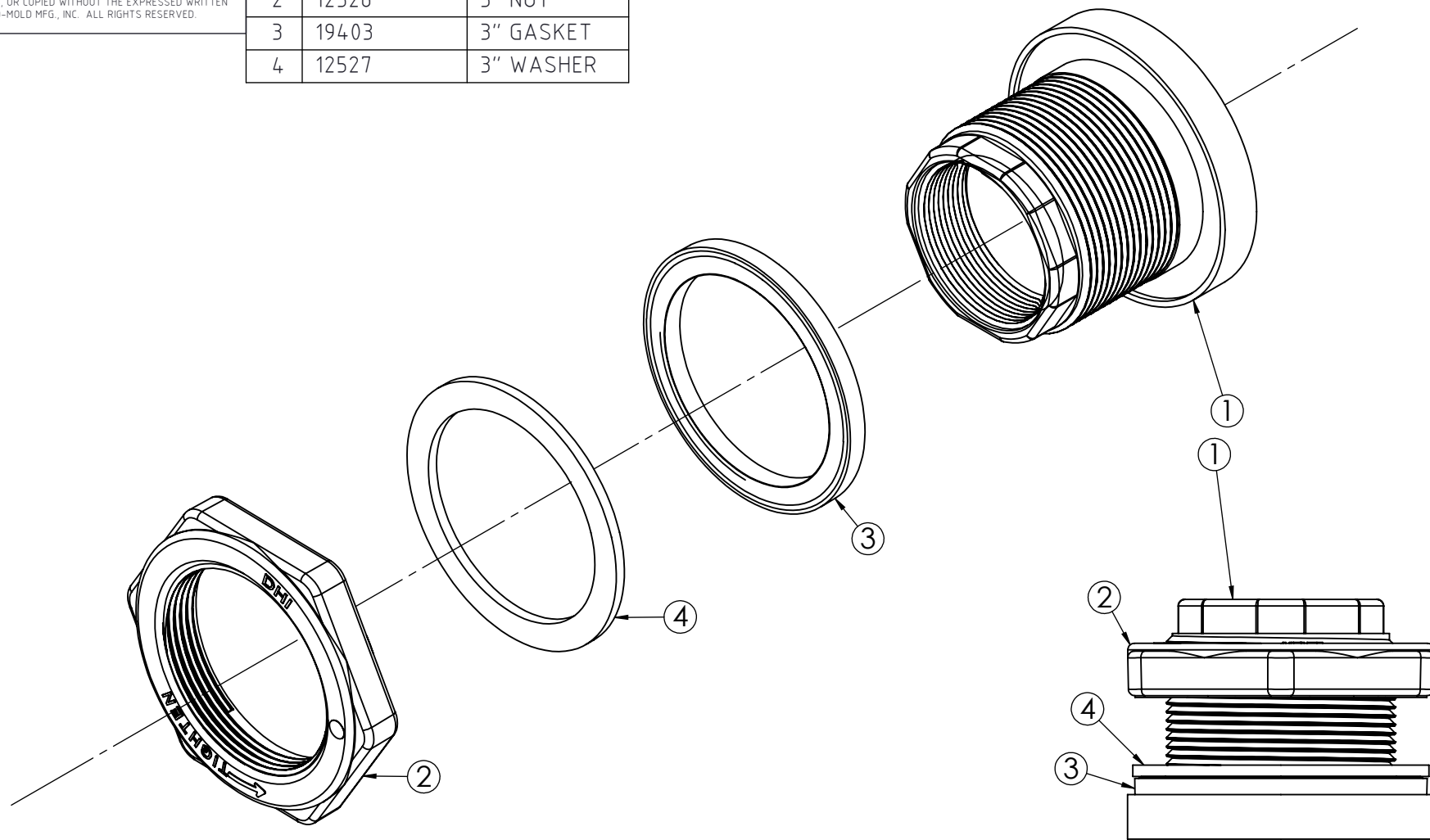


PROPRIETARY DATA

PROPERTY OF DEN HARTOG MFG., INC. INFORMATION FURNISHED HEREIN IS THE PROPERTY OF ACE ROTO-MOLD MFG., INC. AND SHALL NOT BE USED, DISCLOSED TO OTHERS, OR COPIED WITHOUT THE EXPRESSED WRITTEN CONSENT OF ACE ROTO-MOLD MFG., INC. ALL RIGHTS RESERVED.

KEY	PART NUMBER	DESCRIPTION
1	12525	3" FITTING
2	12526	3" NUT
3	19403	3" GASKET
4	12527	3" WASHER

12528



REV	DESCRIPTION	BY / DATE	CCN

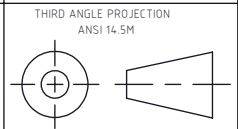
DRAWN / DATE ADH 2/15/08	MATERIAL
APPRD. / DATE MVE 5/16/08	



Den Hartog
INDUSTRIES, INC.

Ace Roto-Mold Injection Molding Blow Molding Sowjoy

4010 HOSPERS DRIVE S. BOX 421, HOSPERS, IOWA 51238-0421



NOTES:

DESCRIPTION 3 inch Bulkhead	
SCALE N.S.	PART NO. 12528

ALL DIMENSIONS ARE IN DECIMAL INCHES
TOLERANCES UNLESS OTHERWISE SPECIFIED
DECIMAL ± .125"