

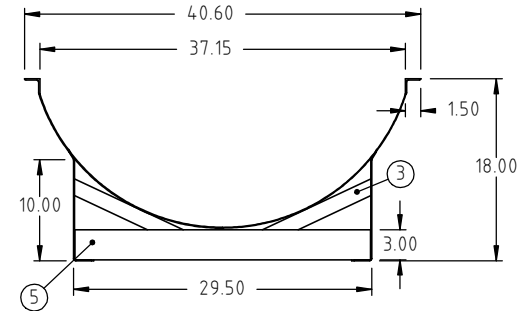
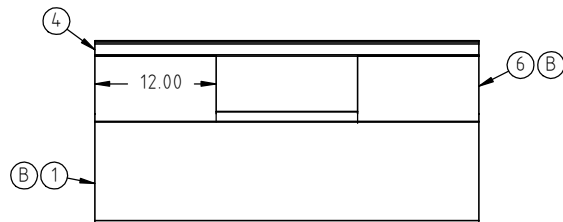
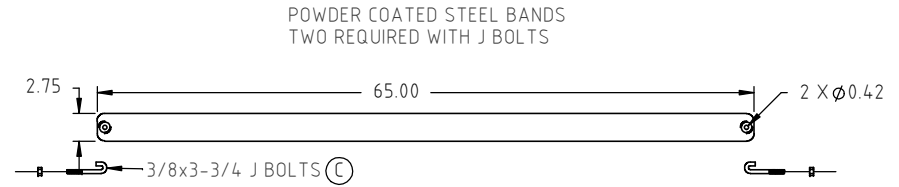
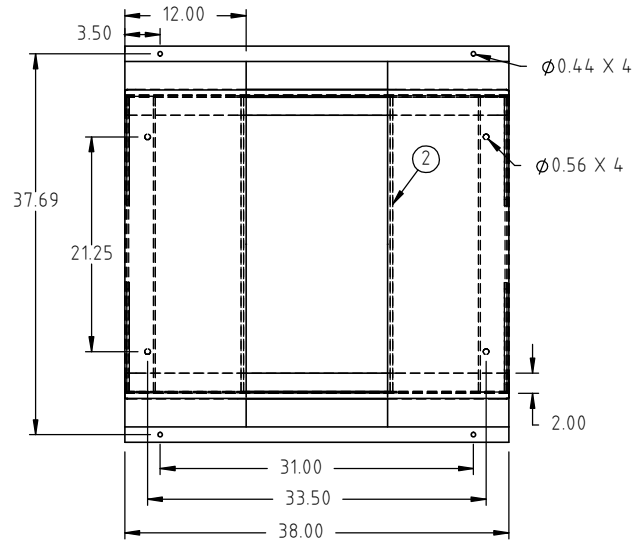
© DEN HARTOG INDUSTRIES, INC.

Copyright. All information furnished within this document, electronic file or design correspondence is the property of Den Hartog industries, Inc. and shall not be used, disclosed to others or copied without the expressed written consent of Den Hartog Industries, Inc.

KEY	PART NUMBER	DESCRIPTION	QTY.
1	HZ0238-C-1	SIDE PANEL	2
2	HZ0238-C-2	BASE STRAP	2
3	HZ0238-C-3	PAN SUPPORT STRAP	4
4	SJHZ0238C-1	ANGLE PAN TOP	2
5	SJHZ0238C-2	BASE ANGLE	2
6	SJHZ0238C-3	CRADLE PAN	2

HZ0238-C

C



C	3/8"X3-3/4" J BOLTS WERE 5/16"X3" J BOLTS DRAWING TEMPLATE UPDATED	ADH 1/10/13	2556	DRAWN / DATE ADH 8/13/07	MATERIAL
B	PART NUMBERS CORRECTED	ADH 1/22/08	1573	APPRD. / DATE REH 11/26/07	
A	TOLERANCE WAS 1% @ 68°F	GWC 3/14/07			
REV	DESCRIPTION	BY / DATE	CCN		
ALL DIMENSIONS ARE IN DECIMAL INCHES TOLERANCES UNLESS OTHERWISE SPECIFIED		THIRD ANGLE PROJECTION ANSI 14.5M		SHOT WEIGHT:	NOTES:
POLYETHYLENE		METAL DECIMAL $\pm .125"$ FRACTION $\pm 1/4"$ ANGLE $\pm 1^\circ$		SHIPPING WEIGHT: 85 LBS	
$\pm 1\%$ @ 68°F				FINISH: POWDER COATING, BLACK TILE, 40012	



**Den Hartog**  
INDUSTRIES, INC.

Ace Roto-Mold Injection Molding Blow Molding Sowjoy

4010 HOSPERS DRIVE S. BOX 425, HOSPERS, IOWA 51238-0425

DESCRIPTION CRADLE ASSEMBLY FOR 200 GALLON $\phi 38$ HORIZONTAL TANK	
SCALE N.S.	PART NO. HZ0238-C