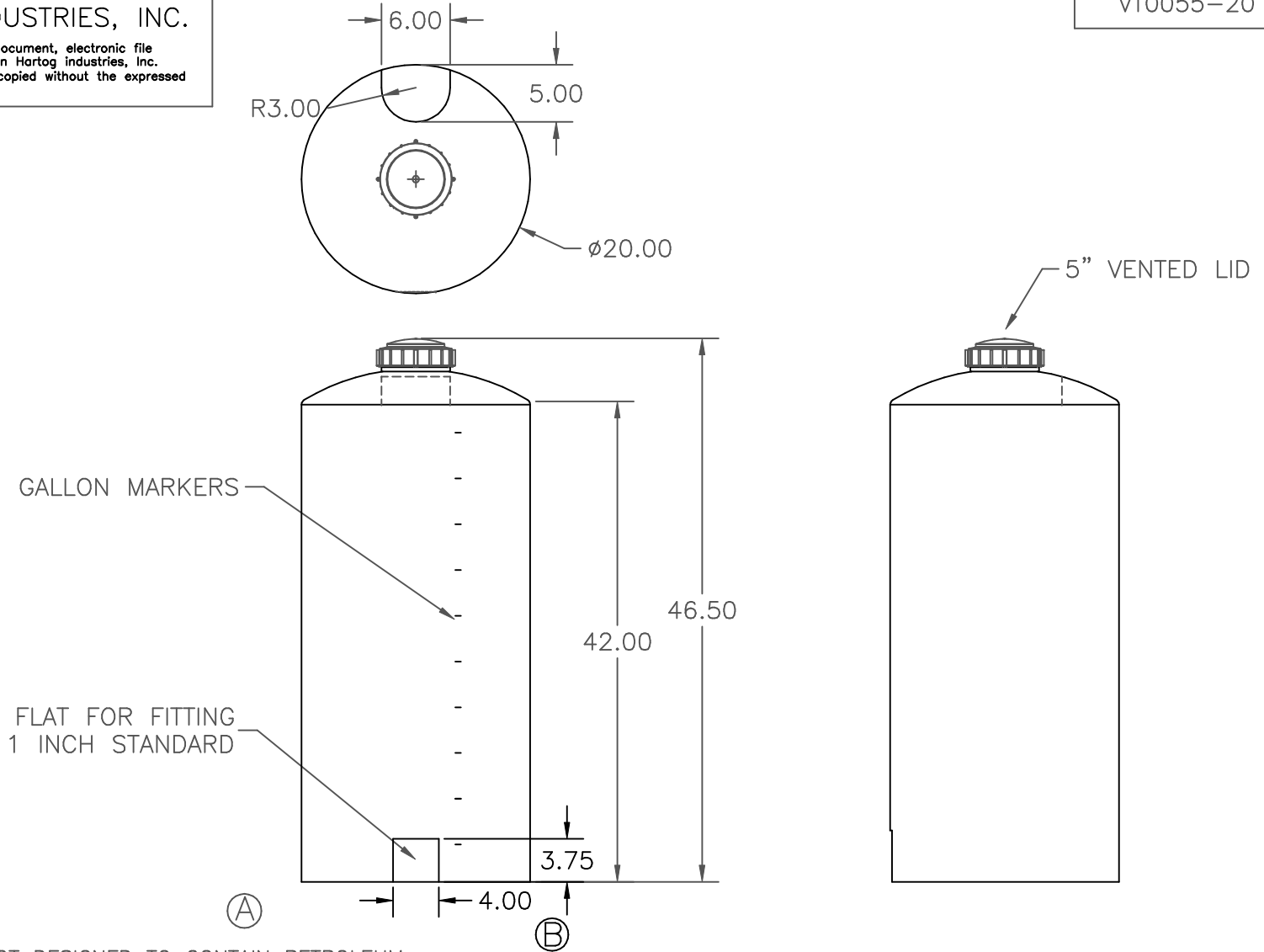


© DEN HARTOG INDUSTRIES, INC.

Copyright. All information furnished within this document, electronic file or design correspondence is the property of Den Hartog industries, Inc. and shall not be used, disclosed to others or copied without the expressed written consent of Den Hartog Industries, Inc.

VT0055-20

B



NOTE: THIS PRODUCT IS NOT DESIGNED TO CONTAIN PETROLEUM PRODUCTS. CONTACT THE FACTORY FOR CHEMICAL COMPATIBILITY.

				DRAWN / DATE DHJ 4/21/04	MATERIAL	ACE ROTO-MOLD A DIVISION OF DEN HARTOG INDUSTRIES, INC. 4010 HOSPERS DRIVE S. BOX 425, HOSPERS, IOWA 51238-0421	
B	FLAT DIMENSIONS ADDED CCN 1701	8/8/08	ADH		22 LB. HDPE		
A	CHANGE SUMP CLOCKING	4/23/07	DHJ	APPRD. / DATE REH 5/8/07		CLIENT / DESCRIPTION	
REV	DESCRIPTION	DATE	APPRD			55 GAL. VERTICAL TANK	
ALL DIMENSIONS ARE IN DECIMAL INCHES TOLERANCES UNLESS OTHERWISE SPECIFIED $\pm 1\% @ 68^{\circ} F$				THIRD ANGLE PROJECTION ANSI 14.5M 	NOTES: 1. NATURAL COLOR 2. NOM. WALL .200	SCALE	PART NO.
						N.S.	VT0055-20