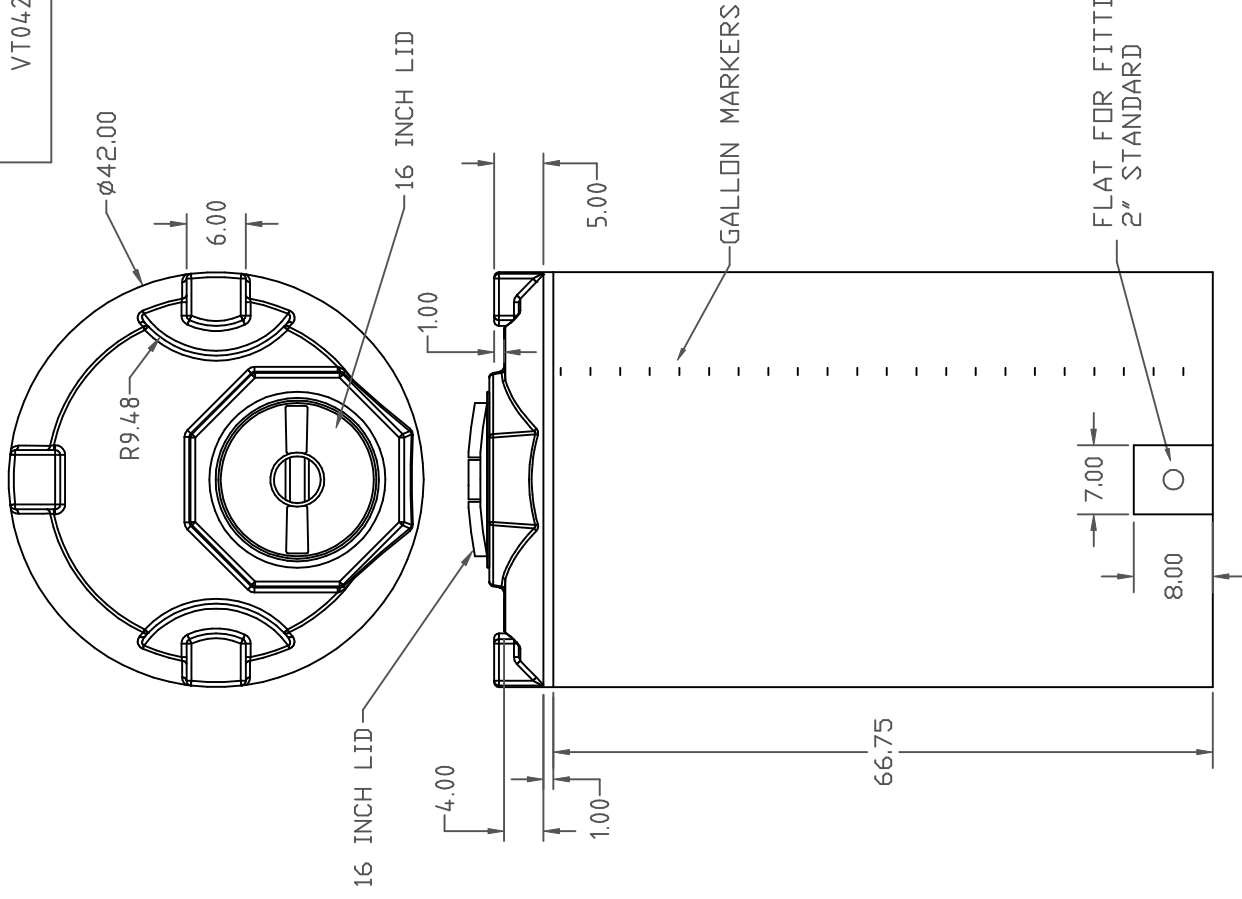


PROPRIETARY DATA

PROPERTY OF ACE ROTO-MOLD MFG., INC. INFORMATION FURNISHED HEREIN IS THE PROPERTY OF ACE ROTO-MOLD MFG., INC. AND SHALL NOT BE USED, DISCLOSED TO OTHERS, OR COPIED WITHOUT THE EXPRESSED WRITTEN CONSENT OF ACE ROTO-MOLD MFG., INC. ALL RIGHTS RESERVED.



**Ace Roto-Mold**  
 A DIVISION OF DEN HARTOG INDUSTRIES, INC.  
 4010 HOSPERS DRIVE S., BOX 425, HOSPERS, IOWA 51238

CLIENT / DESCRIPTION

420 GALLON VERTICAL TANK WITH 16 INCH LID

SCALE

N.S.

PART NO. VT0420-42

MATERIAL

HDPE OR EQUIVALENT  
 REFERENCE MATERIAL DATA SHEET  
 FOR SPECIFIC PROPERTIES.

NOTES:

- 1. BLACK, WHITE, YELLOW AND DESERT TAN COLOR
- 2. SHOT WEIGHT 100 LBS.
- 3. NOM. WALL @ .25

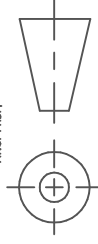
DRAWN / DATE

DHJ 7/13/07

APPRD. / DATE

REH/8/7/07

THIRD ANGLE PROJECTION  
 ANSI 14.3M



REV DESCRIPTION DATE APPRD

ALL DIMENSIONS ARE IN DECIMAL INCHES

TOLERANCES UNLESS OTHERWISE SPECIFIED

+ .1% @ 68° F