

© DEN HARTOG INDUSTRIES, INC.

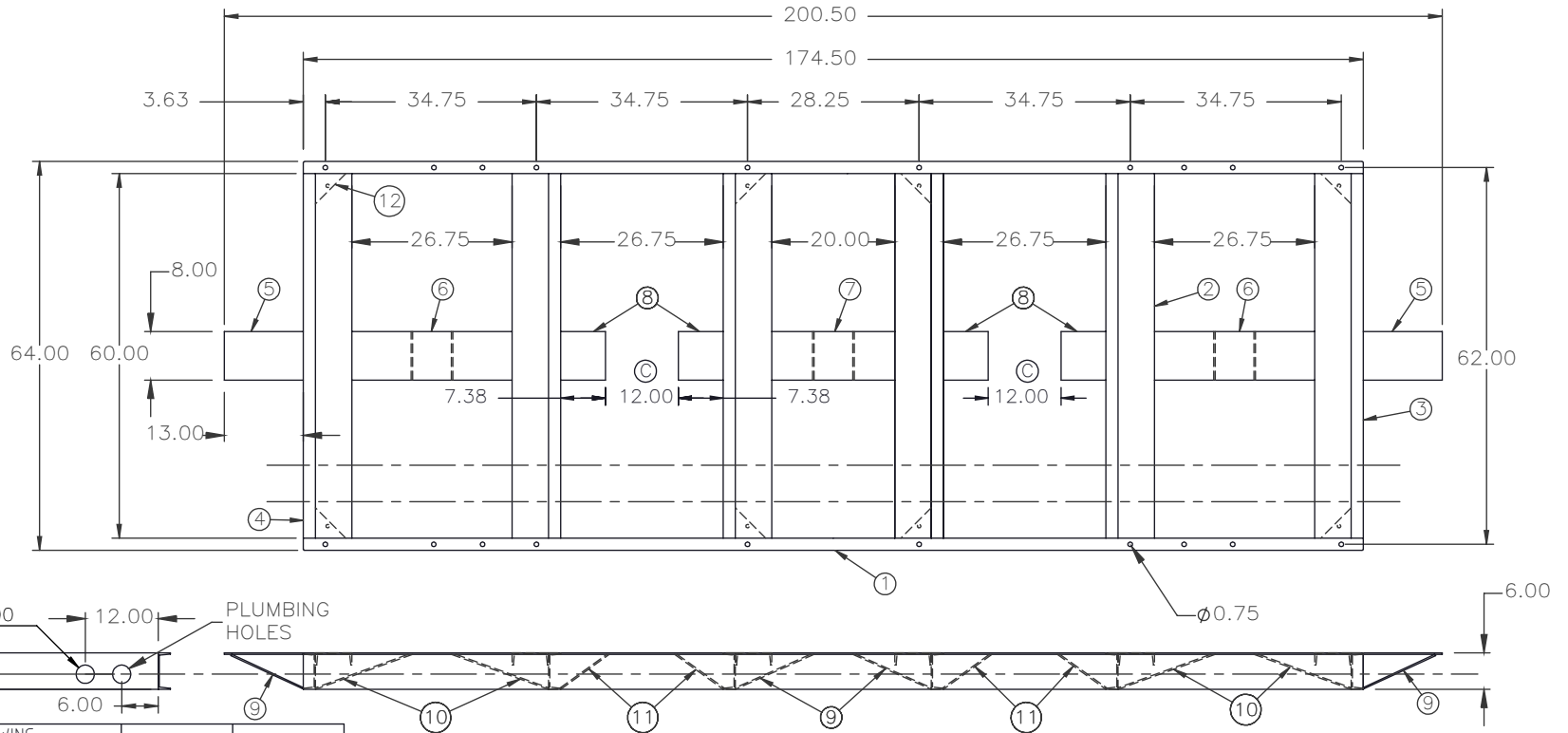
Copyright. All information furnished within this document, electronic file or design correspondence is the property of Den Hartog Industries, Inc. and shall not be used, disclosed to others or copied without the expressed written consent of Den Hartog Industries, Inc.

| KEY | PART NUMBER | PART NUMBER | DESCRIPTION | QTY. |
|-----|--------------|-------------|-------------------|-------------------------|
| 1 | FS2600-SK-1 | C06X82 | 6" CHANNEL | 2 @ 174.50"(349 IN) |
| 2 | FS2600-SK-2 | C06X82 | 6" CHANNEL | 6 @ 60"(360 IN) |
| 3 | FS2600-SK-3 | C06X82 | 6" CHANNEL(HOLES) | 3 @ 60"(180 IN) |
| 4 | FS2600-SK-4 | C06X82 | 6" CHANNEL(HOLES) | 3 @ 60"(180 IN) |
| 5 | FS2600-SK-5 | S-2500 | 1/4" SHEET | 2 @ 8" X 13"(208 SI) |
| 6 | FS2600-SK-6 | S-2500 | 1/4" SHEET | 2 @ 8" X 26.75"(428 SI) |
| 7 | FS2600-SK-7 | S-2500 | 1/4" SHEET | 8" X 20"(160 SI) |
| 8 | FS2600-SK-8 | S-2500 | 1/4" SHEET | 4 @ 8" X 7.25"(232 SI) |
| 9 | FS2600-SK-9 | S-2500 | 1/4" SHEET | 4 @ 8" X 15.25"(488 SI) |
| 10 | FS2600-SK-10 | S-2500 | 1/4" SHEET | 4 @ 8" X 17"(544 SI) |
| 11 | FS2600-SK-11 | S-2500 | 1/4" SHEET | 4 @ 8" X 9.75"(312 SI) |
| 12 | 12411 | 12411 | 5 X 5 GUSSET | 8 |

ⓓ

FS2600-SK

D



| | | | |
|--|---|--------------------------------------|------------------|
| D | TABLE ADDED TO DRAWING. DRAWING TEMPLATE UPDATED. | ADH 3/27/09 | 1828 |
| C | INCREASE SUMP CLEARANCE | DHJ 11/2/07 | |
| B | ADD GUSSETS | 9/22/06 | |
| A | ADD PLUMBING HOLES | 3/29/06 | |
| REV | DESCRIPTION | BY / DATE | CCN |
| ALL DIMENSIONS ARE IN DECIMAL INCHES TOLERANCES UNLESS OTHERWISE SPECIFIED | | THIRD ANGLE PROJECTION ANSI 14.5M | SHOT WEIGHT: |
| POLYETHYLENE | METAL DECIMAL ± .125" FRACTION ± 1/4" ANGLE ± 1° | | SHIPPING WEIGHT: |
| ±1% @ 68°F | | | FINISH: |

| | |
|---------------|----------|
| DRAWN / DATE | MATERIAL |
| REH/01/28/02 | |
| APPRD. / DATE | |
| DHJ / 1/28/01 | |
| NOTES: | |



Den Hartog
INDUSTRIES, INC.

Ace Roto-Mold Injection Molding Blow Molding Sowjoy

4010 HOSPERS DRIVE S. BOX 425, HOSPERS, IOWA 51238-0421

| | | |
|-------------|-----------------------|--------------------|
| DESCRIPTION | 2600 GALLON TANK SKID | |
| SCALE | N.S. | PART NO. FS2600-SK |