

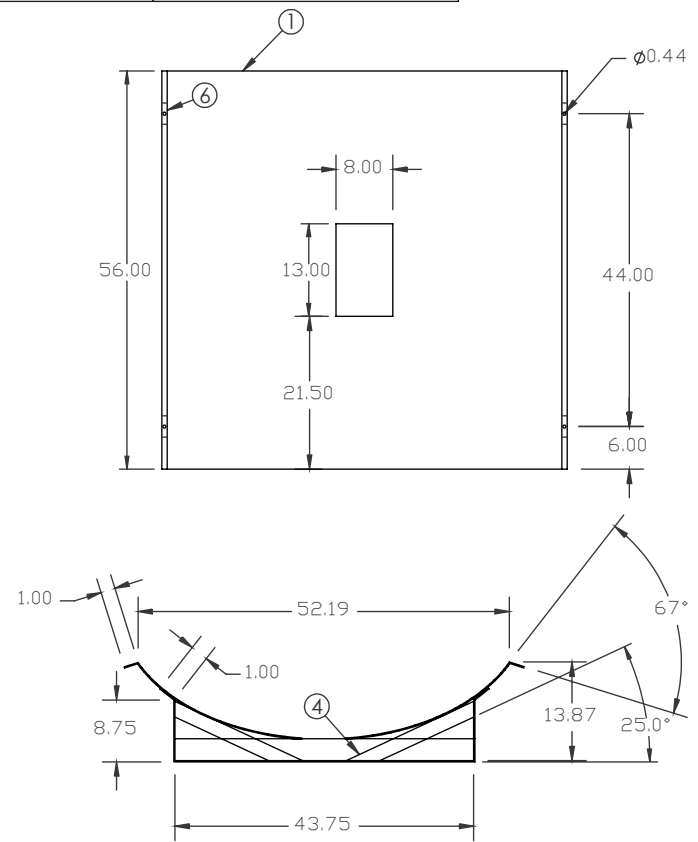
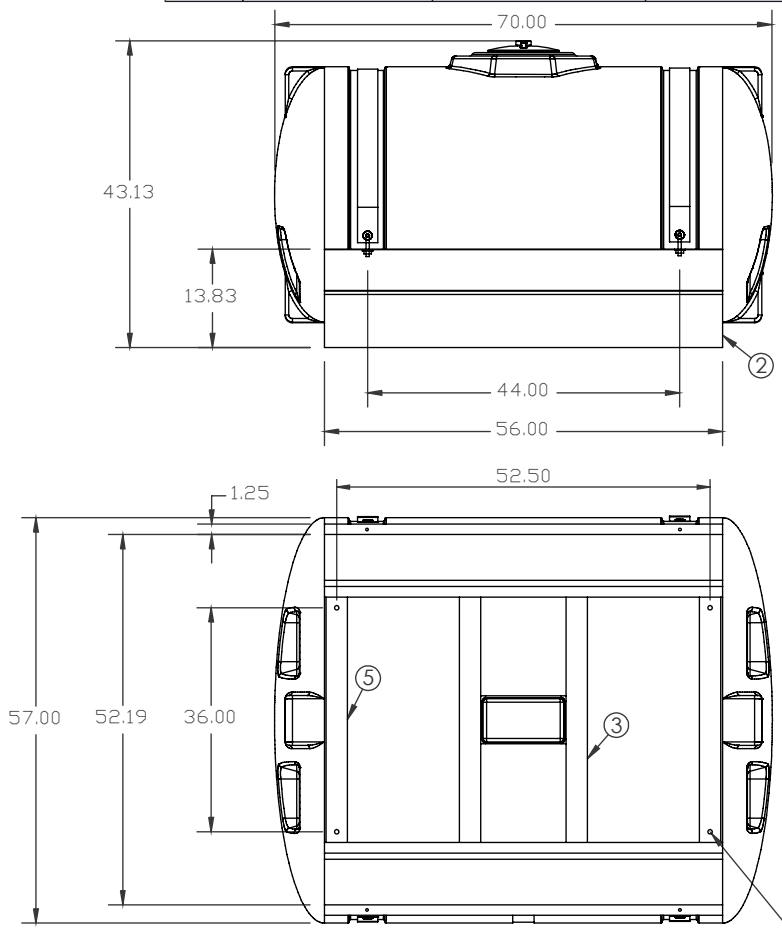
PROPRIETARY DATA

PROPERTY OF ACE ROTO-MOLD MFG., INC. INFORMATION FURNISHED HEREIN IS THE PROPERTY OF ACE ROTO-MOLD MFG., INC. AND SHALL NOT BE USED, DISCLOSED TO OTHERS, OR COPIED WITHOUT THE EXPRESSED WRITTEN CONSENT OF ACE ROTO-MOLD MFG., INC. ALL RIGHTS RESERVED.

KEY	PART NUMBER	MATERIAL	DESCRIPTION	QTY.
1	HE0400-C-1	S-14GA	SHEET, 14GA	60" X 56" (3360 SI)
2	HE0400-C-2	S-14GA	SHEET, 14GA	11.75" X 56" X 2 (1316 SI)
3	HE0400-C-3	A01875X30000	ANGLE, 3/16" X 3"	4 @ 43.50" (174 IN) (HOLES INCLUDED)
4	HE0400-C-4	B02500X20000	FLAT, 1/4" X 2"	4 @ 16 IN (64 IN)
5	HE0400-C-5	A01875X30000	ANGLE, 3/16" X 3" (HOLES)	2
6	SJHZ0232C-4	B02500X10000	FLAT, 1/4" X 1"	4

HE0400-C

B



				DRAWN / DATE ADH 7/23/07	MATERIAL
B	CHANGE PART #	3/30/06		APPRD. / DATE REH 10/5/07	
A	CHANGE WIDTH OF BASE	4/15/04			
REV	DESCRIPTION	BY / DATE	CCN		
ALL DIMENSIONS ARE IN DECIMAL INCHES TOLERANCES UNLESS OTHERWISE SPECIFIED DECIMAL ± .125" FRACTION ± 1/4" ANGLE ± 1°				THIRD ANGLE PROJECTION ANSI 14.5M 	NOTES:



**Den Hartog**  
INDUSTRIES, INC.

Ace Roto-Mold Injection Molding Blow Molding Sowjoy  
4010 HOSPERS DRIVE S. BOX 425, HOSPERS, IOWA 51238-0421

DESCRIPTION ACE 400 GALLON ELLIPTICAL TANK AND CRADLE ASSEMBLY	
SCALE N.S.	PART NO. HE0400-C