

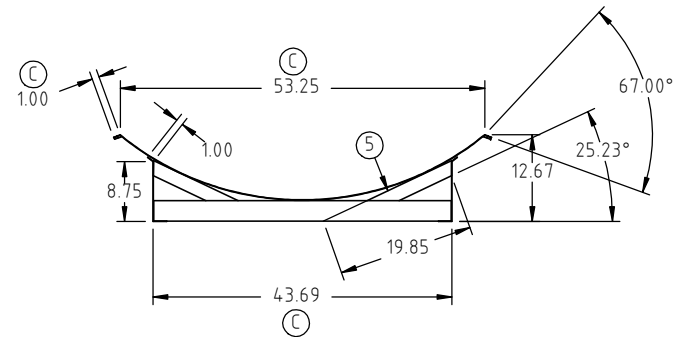
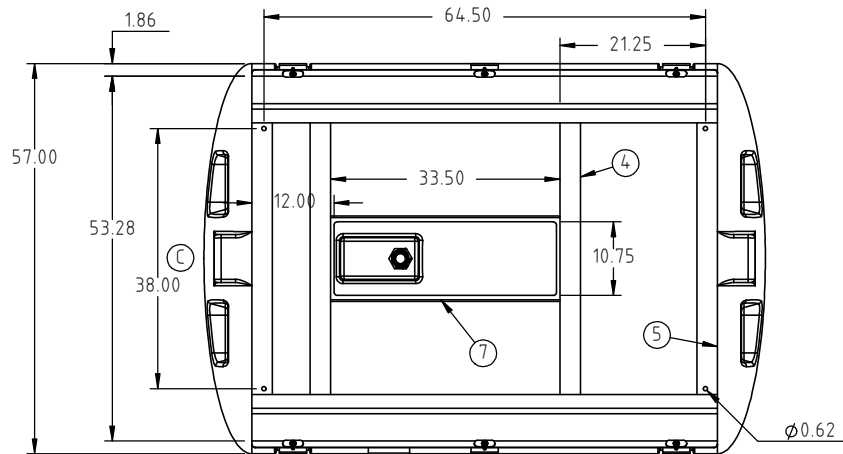
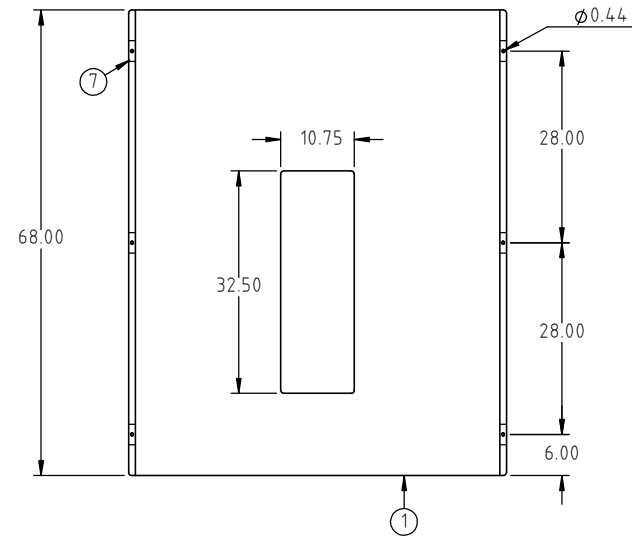
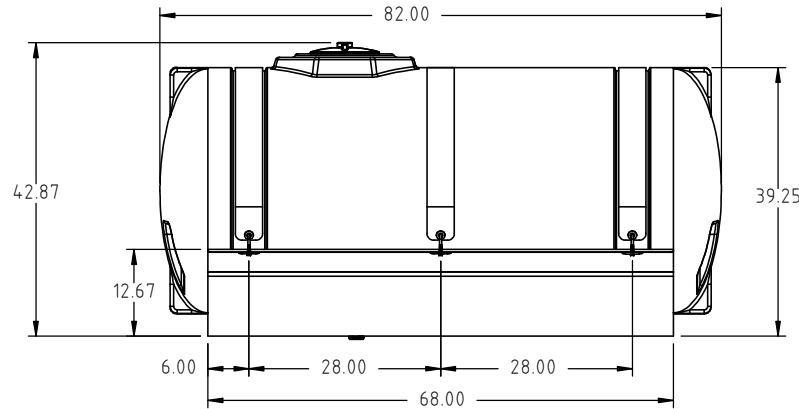
© DEN HARTOG INDUSTRIES, INC.

Copyright. All information furnished within this document, electronic file or design correspondence is the property of Den Hartog Industries, Inc. and shall not be used, disclosed to others or copied without the expressed written consent of Den Hartog Industries, Inc.

KEY	PART NUMBER	DESCRIPTION	QTY.
1	HE0500-C-1	PAN	1
2	HE0500-C-2	SIDE PANEL	2
3	HE0500-C-3	BASE ANGLE	2
4	HE0500-C-4	BASE ANGLE (HOLES)	2
5	HE0400-C-4	SUPPORT STRAP	4
6	HE0500-C-6	BASE FLAT BAR	2
7	SJHZ0232C-4	STRAP SUPPORT, CRADLES	6

HE0500-C

D



D	HE0400-C-4 WAS HE0500-C-5, DRAWING TEMPLATE/TABLE UPDATED	ADH 10/27/11	2319
C	DIMENSIONS UPDATED	ADH 2/11/08	1591
B	REMOVE TOLERANCE	GWC 3/14/07	
A	ENLARGE SUMP CUTOUT	9/15/05	
REV	DESCRIPTION	BY / DATE	CCN

DRAWN / DATE  
ADH 7/23/07

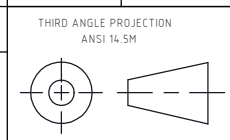
APPRD. / DATE  
REH 10/5/07

MATERIAL

ALL DIMENSIONS ARE IN DECIMAL INCHES  
TOLERANCES UNLESS OTHERWISE SPECIFIED

POLYETHYLENE

±1% @ 68°F



SHOT WEIGHT:

SHIPPING WEIGHT: 202.00 LBS

FINISH: POWDER COATING, BLACK TILE, 40012

NOTES:



**Den Hartog**  
INDUSTRIES, INC.

Ace Roto-Mold Injection Molding Blow Molding Sowjoy

4010 HOSPERS DRIVE S. BOX 425, HOSPERS, IOWA 51238-0421

DESCRIPTION	ACE 500 GALLON ELLIPTICAL TANK AND CRADLE ASSEMBLY	
SCALE	N.S.	PART NO. HE0500-C