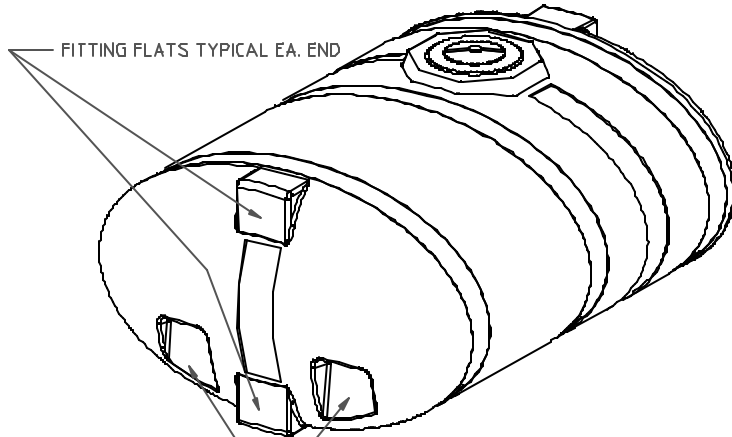


PROPRIETARY DATA

PROPERTY OF ACE ROTO-MOLD MFG., INC. INFORMATION FURNISHED HEREIN IS THE PROPERTY OF ACE ROTO-MOLD MFG., INC. AND SHALL NOT BE USED, DISCLOSED TO OTHERS, OR COPIED WITHOUT THE EXPRESSED WRITTEN CONSENT OF ACE ROTO-MOLD MFG., INC. ALL RIGHTS RESERVED.

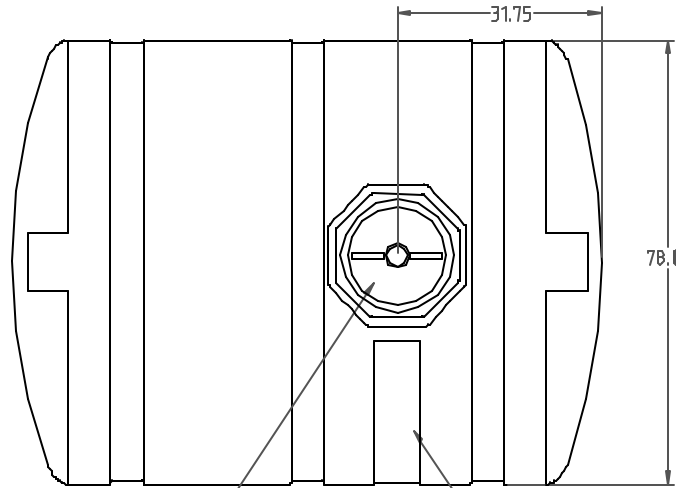
HE1000-78

B



FITTING FLATS TYPICAL EA. END

FITTING FLATS TYPICAL EA. END

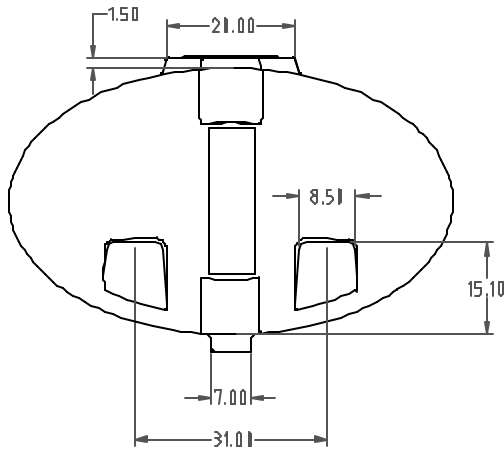


31.75

78.10

STANDARD LID IS 16"

GALLON / LITER INDICATORS ONE SIDE AND ONE END
GALLON CALIBRATIONS ARE IN 50 GAL. INCREMENTS



1.50

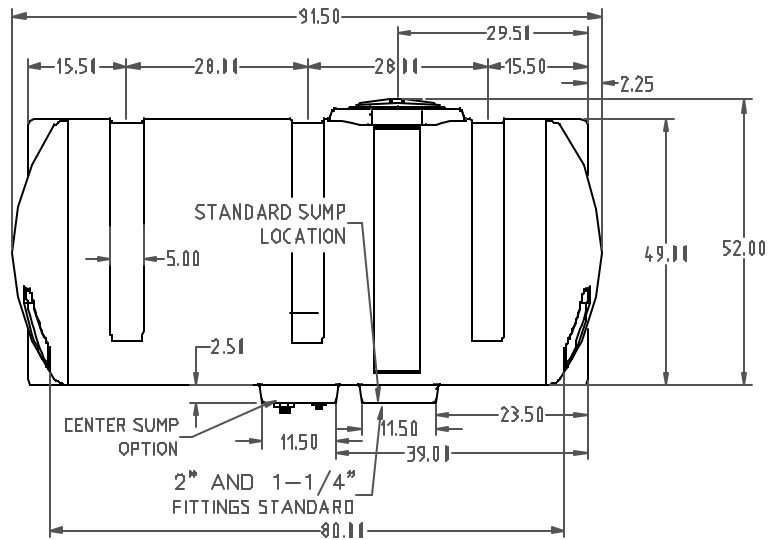
21.00

8.51

15.10

7.00

31.01



91.50

15.51

28.11

28.11

29.51

15.50

2.25

STANDARD SUMP LOCATION

5.00

49.11

52.00

2.51

CENTER SUMP OPTION

11.50

11.50

23.50

2" AND 1-1/4" FITTINGS STANDARD

39.01

80.11

B	UPDATE DIM	4/28/16	DRAWN / DATE	REH/2/14/02	MATERIAL / SHOT WEIGHT			
A	UPDATE WEIGHT	2/2/06	APPRD. / DATE	REH/2/14/02	M111	M134	U625	P938
REV	DESCRIPTION	DATE	APPRD.			285		

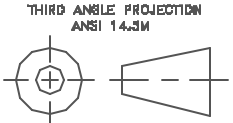


Ace Roto-Mold

A DIVISION OF DEN HARTOG INDUSTRIES, INC.
401B HWY. 60 BLVD., BOX 421, HOSPERS, IOWA 51238

CLIENT / DESCRIPTION		ACE 1000 GALLON ELLIPTICAL TANK	
SCALE	N.S.	PART NO.	HE1000-78

ALL DIMENSIONS ARE IN DECIMAL INCHES
TOLERANCES UNLESS OTHERWISE SPECIFIED
± .5% @ 68° F



NOTES:
1. .330 NOMINAL WALL