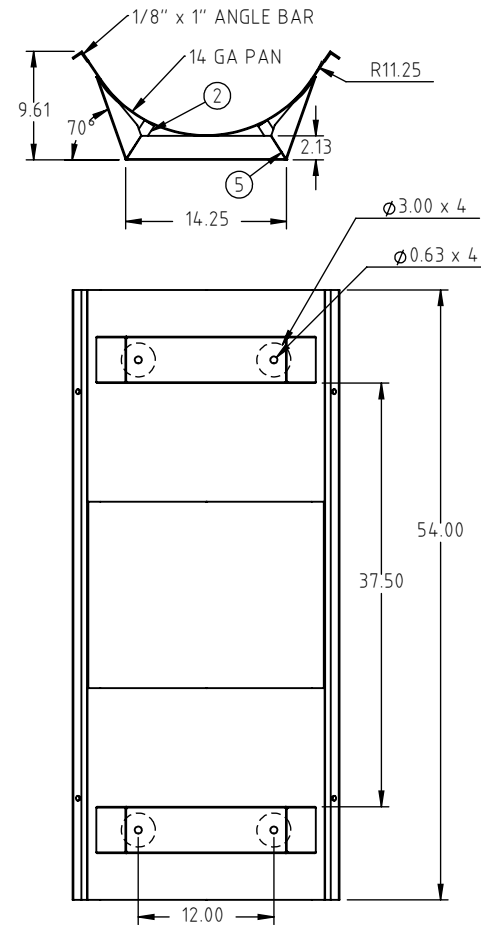
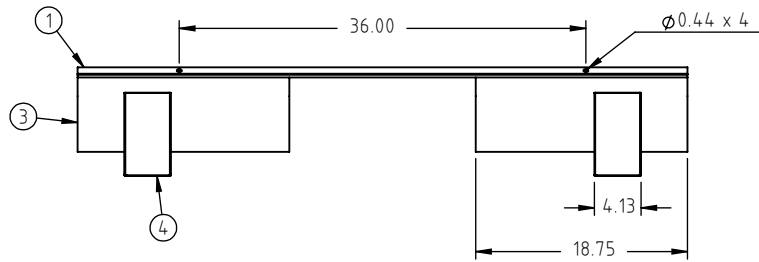
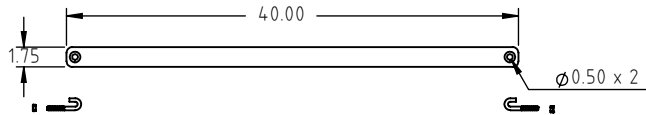


Copyright. All information furnished within this document, electronic file or design correspondence is the property of Den Hartog industries, Inc. and shall not be used, disclosed to others or copied without the expressed written consent of Den Hartog Industries, Inc.

KEY	PART NUMBER	DESCRIPTION	QTY.
1	12755	ANGLE, CRADLE HZ0100 GAL	2
2	12756	PAN SUPPORT, HZ0100 GAL	4
3	12757	PAN, HZ0100 GAL	2
4	12758	MOUNT, HZ0100	2
5	HZ0110-C-1	MOUNT FILLER STRAP	4



POWDER COATED STEEL BANDS TWO REQUIRED WITH J BOLTS



				DRAWN / DATE ADH 12/3/09	MATERIAL
				APPROD. / DATE REH 1/14/10	
REV	DESCRIPTION	BY / DATE	CCN		
ALL DIMENSIONS ARE IN DECIMAL INCHES TOLERANCES UNLESS OTHERWISE SPECIFIED		THIRD ANGLE PROJECTION ANSI 14.5M		SHOT WEIGHT:	NOTES:
POLYETHYLENE ±1% @ 68°F		METAL DECIMAL ± .125" FRACTION ± 1/4" ANGLE ± 1°		SHIPPING WEIGHT: SEE NOTES	CRADLE = 36.00 LBS.
		FINISH: POWDER COATING, BLACK TILE, 40012			CRADLE WITH BANDS AND BOLT BAG = 40.00 LBS.



Den Hartog
INDUSTRIES, INC.

Ace Roto-Mold Injection Molding Blow Molding Sowjoy

4010 HOSPERS DRIVE S. BOX 425, HOSPERS, IOWA 51238-0425

DESCRIPTION HZ, CRADLE, 100 GALLON	
SCALE N.S.	PART NO. HZ0100-C