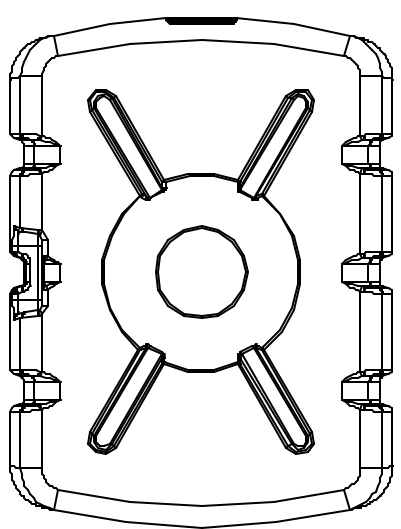
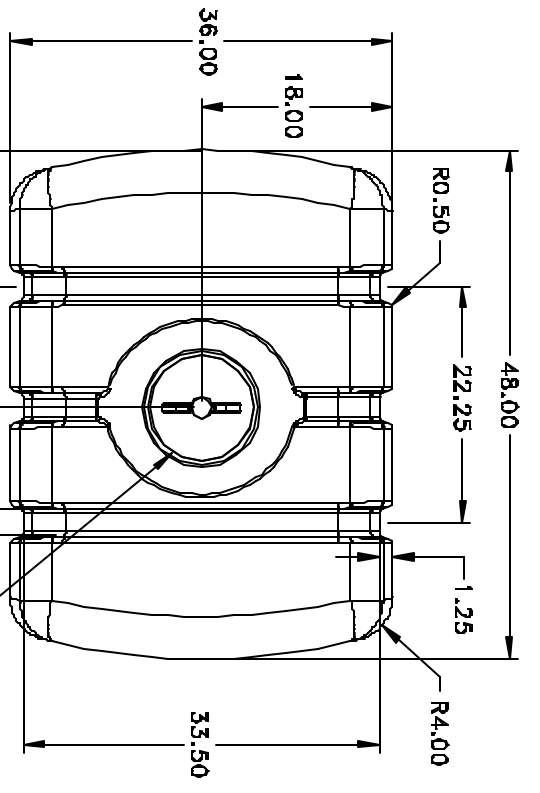
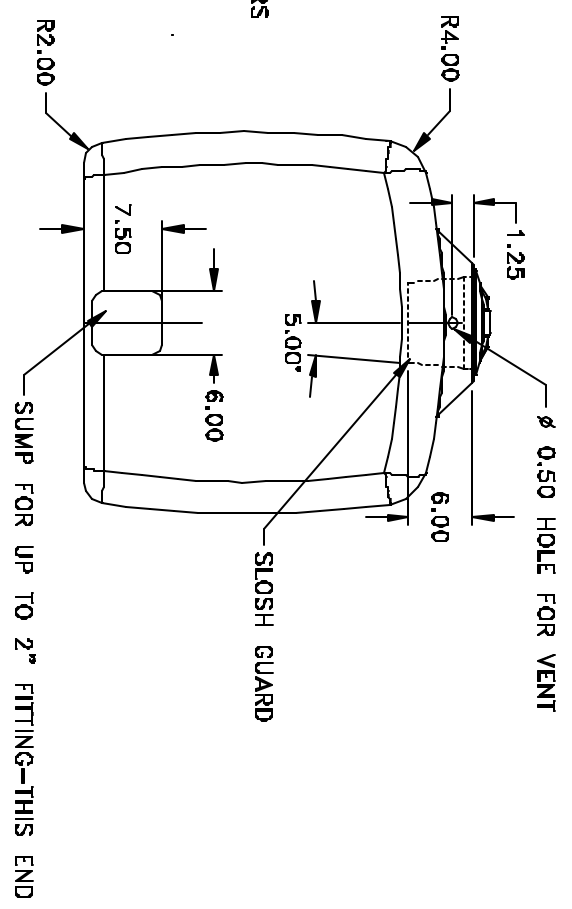
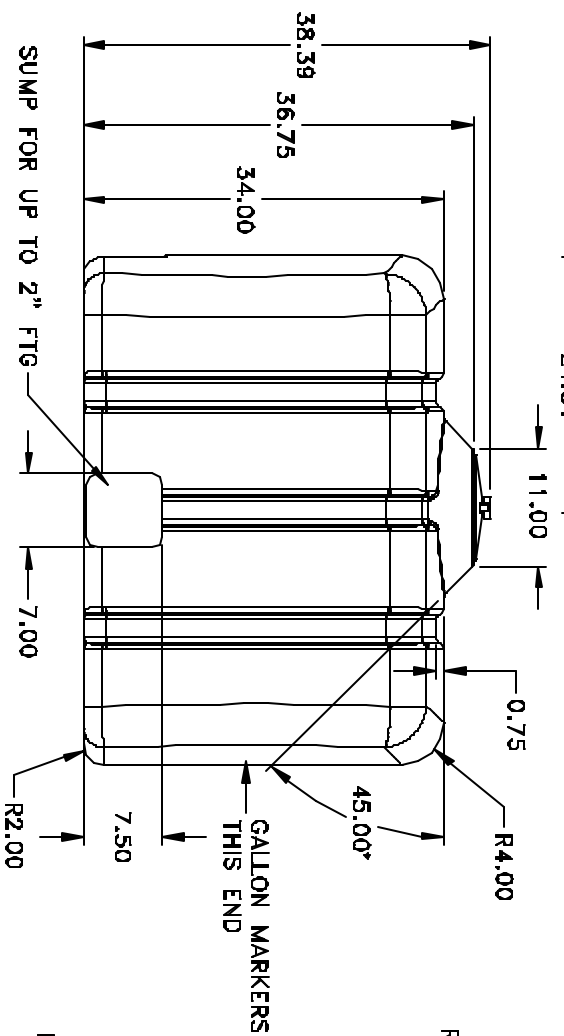


SP0200-RT

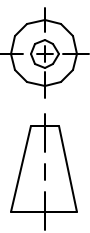


BOTTOM VIEW



REV	DESCRIPTION	DATE	APPRD	DRAWN / DATE	MATERIAL
				REH / 4/19/99	BD LB. MOBIL 134
				APPRD. / DATE	
				REH / 4/19/99	

THIRD ANGLE PROJECTION
ANSI 14.2M



NOTES:
1. NATURAL COLOR
2. NOM. WALL .270

ACE ROTO-MOLD
A DIVISION OF DEN HARTOG INDUSTRIES, INC.
4018 HWY. 80 BLVD. BOX 421, HOSPERS, IOWA 51238

CLIENT / DESCRIPTION
200 GAL. TANK

ALL DIMENSIONS ARE IN DECIMAL INCHES
TOLERANCES UNLESS OTHERWISE SPECIFIED
± .5% @ 68° F

SCALE N.S. PART NO. SP0200-RT