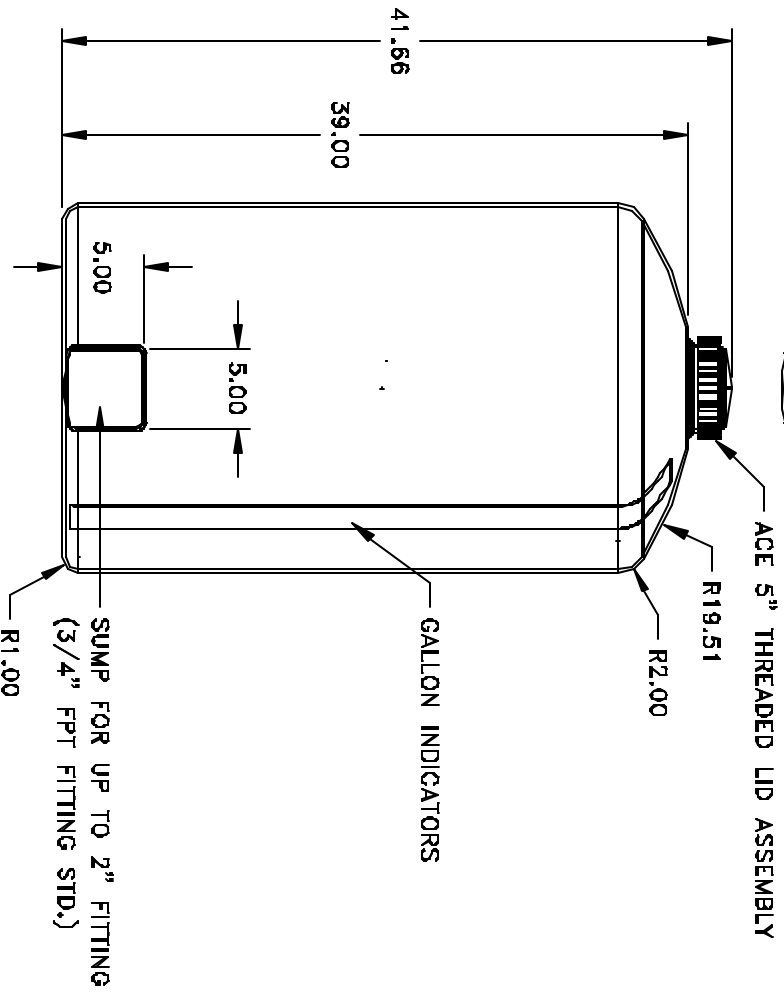
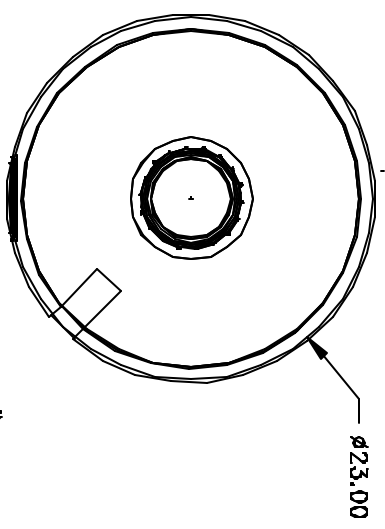
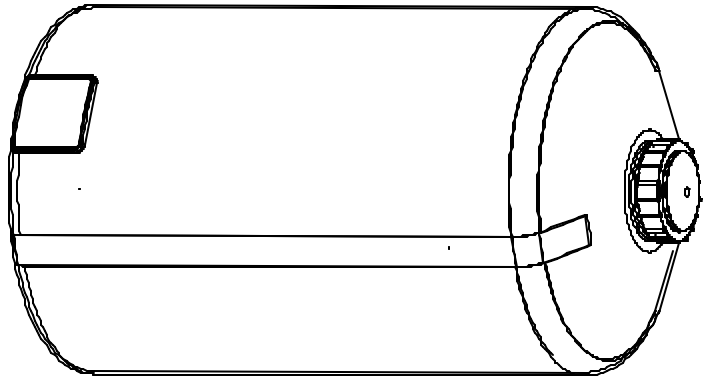


VT0065-23



**NOTE: THIS PRODUCT IS NOT DESIGNED TO CONTAIN PETROLEUM PRODUCTS. CONTACT THE FACTORY FOR CHEMICAL COMPATIBILITY.**

REV	DESCRIPTION	DATE	APPRD	DRAWN / DATE	REH / 8/29/00

MATERIAL	25 LB. MOBIL 134
----------	------------------

**ACE ROTO-MOLD**  
 A DIVISION OF DEN HARTOG INDUSTRIES, INC.  
 4018 HWY. 80 BLVD. BOX 421, HOSPERS, IOWA 51238

ALL DIMENSIONS ARE IN DECIMAL INCHES TOLERANCES UNLESS OTHERWISE SPECIFIED + .5% @ 68° F	THIRD ANGLE PROJECTION ANSI 14.2M
--	--------------------------------------

NOTES:  
 1. NATURAL COLOR  
 2. NOM. WALL .180

CLIENT / DESCRIPTION	65 GAL. VERTICAL TANK
SCALE	N.S.
PART NO.	VT0065-23

