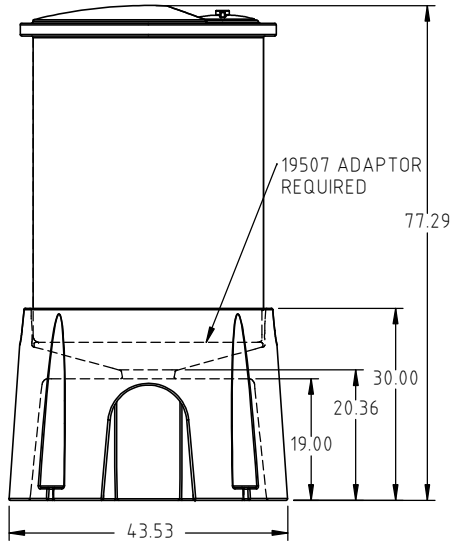
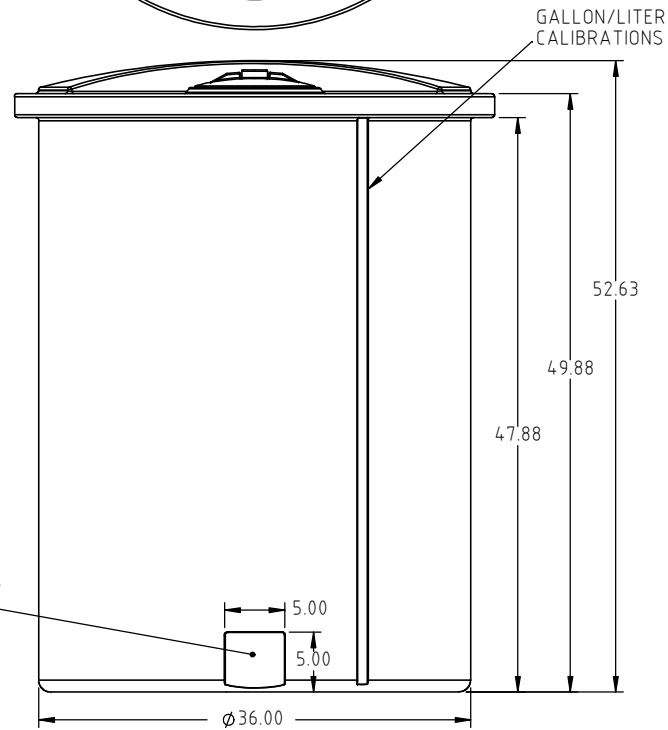
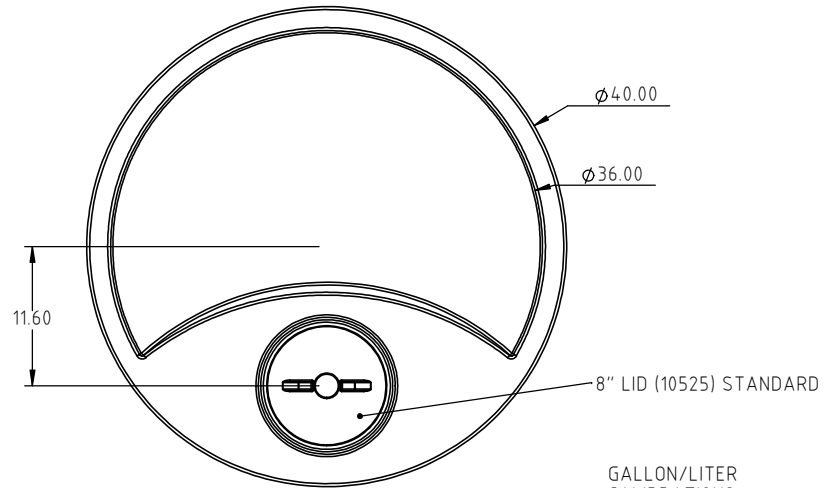


Copyright. All information furnished within this document, electronic file or design correspondence is the property of Den Hartog industries, Inc. and shall not be used, disclosed to others or copied without the expressed written consent of Den Hartog Industries, Inc.



OC036-STP POLY STAND



FITTING FLAT  
1 1/2" FITTING IS  
STANDARD

REV	DESCRIPTION	BY / DATE	CCN	DRAWN / DATE ADH 7/12/10	MATERIAL 10420
				APPROD. / DATE REH 4/18/11	
ALL DIMENSIONS ARE IN DECIMAL INCHES TOLERANCES UNLESS OTHERWISE SPECIFIED		THIRD ANGLE PROJECTION ANSI 14.5M		SHOT WEIGHT: 56.00 LBS	NOTES: 1.) 0.20 WALL THICKNESS
POLYETHYLENE		METAL DECIMAL ± .125" FRACTION ± 1/4" ANGLE ± 1°		SHIPPING WEIGHT: 58.00LBS	
±1% @ 68°F				FINISH:	



**Den Hartog**  
INDUSTRIES, INC.

Acra Roto-Mold Injection Molding Blow Molding Sowjoy

4010 HOSPERS DRIVE S. BOX 425, HOSPERS, IOWA 51238-0425

DESCRIPTION 36" DIA. X 200 GALLON VERTICAL TANK	
SCALE N.S.	PART NO. VT0200-36