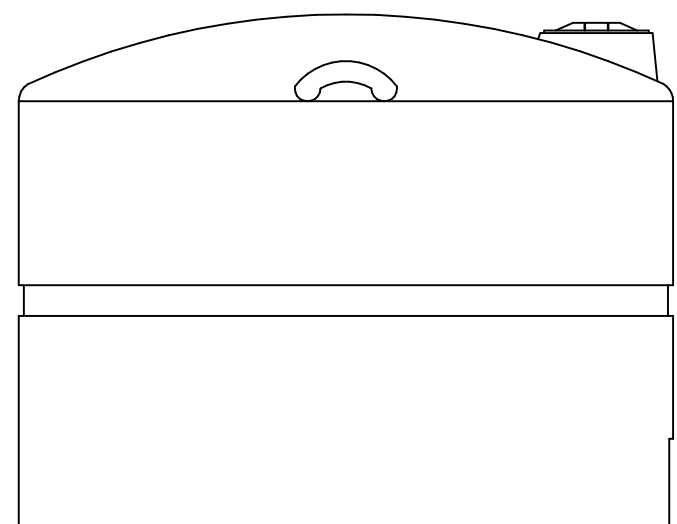
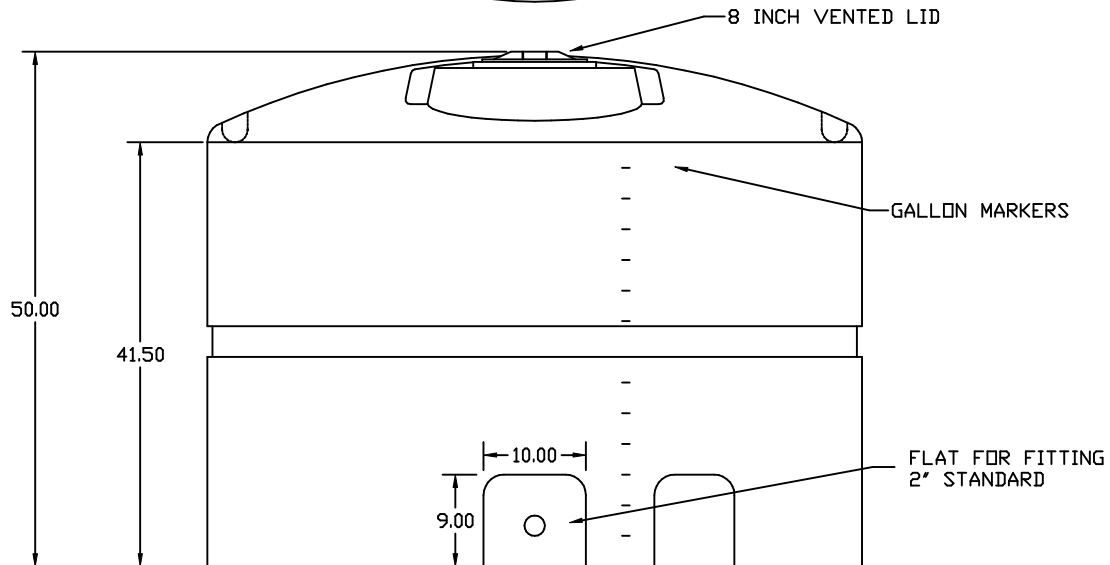
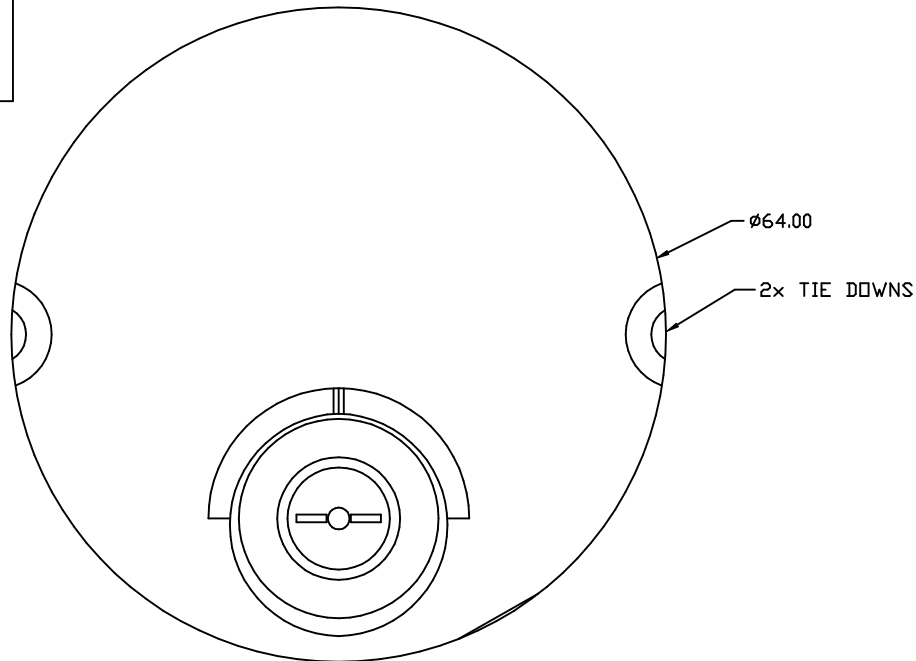

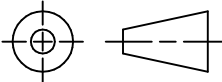


PROPRIETARY DATA

PROPERTY OF ACE ROTO-MOLD MFG., INC. INFORMATION FURNISHED HEREIN IS THE PROPERTY OF ACE ROTO-MOLD MFG., INC. AND SHALL NOT BE USED, DISCLOSED TO OTHERS, OR COPIED WITHOUT THE EXPRESSED WRITTEN CONSENT OF ACE ROTO-MOLD MFG., INC. ALL RIGHTS RESERVED.

VT0625-64



		DRAWN / DATE DHJ 5/2/03		MATERIAL / SHOT WEIGHT POLYETHYLENE 100 LBS.		 <b>Ace Roto-Mold</b> A DIVISION OF DEN HARTOG INDUSTRIES, INC.	
		APPRD. / DATE ADH 11/19/07					
REV	DESCRIPTION	DATE	APPRD.	NOTES:		CLIENT / DESCRIPTION	
				1. NOM. WALL @ .17 2. OPTIONAL 16" LID		625 GALLON VERTICAL	
ALL DIMENSIONS ARE IN DECIMAL INCHES TOLERANCES UNLESS OTHERWISE SPECIFIED ±1% @ 68° F				THIRD ANGLE PROJECTION ANSI 14.5M 		SCALE NONE	PART NO. VT0625-64