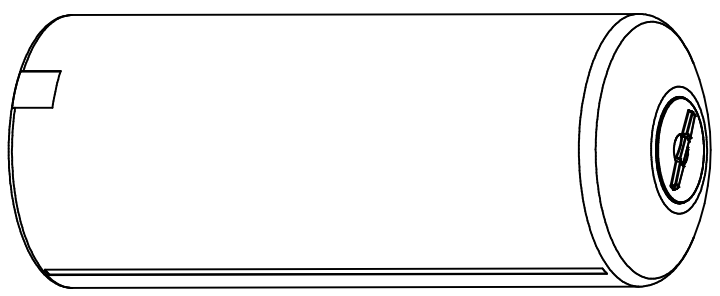
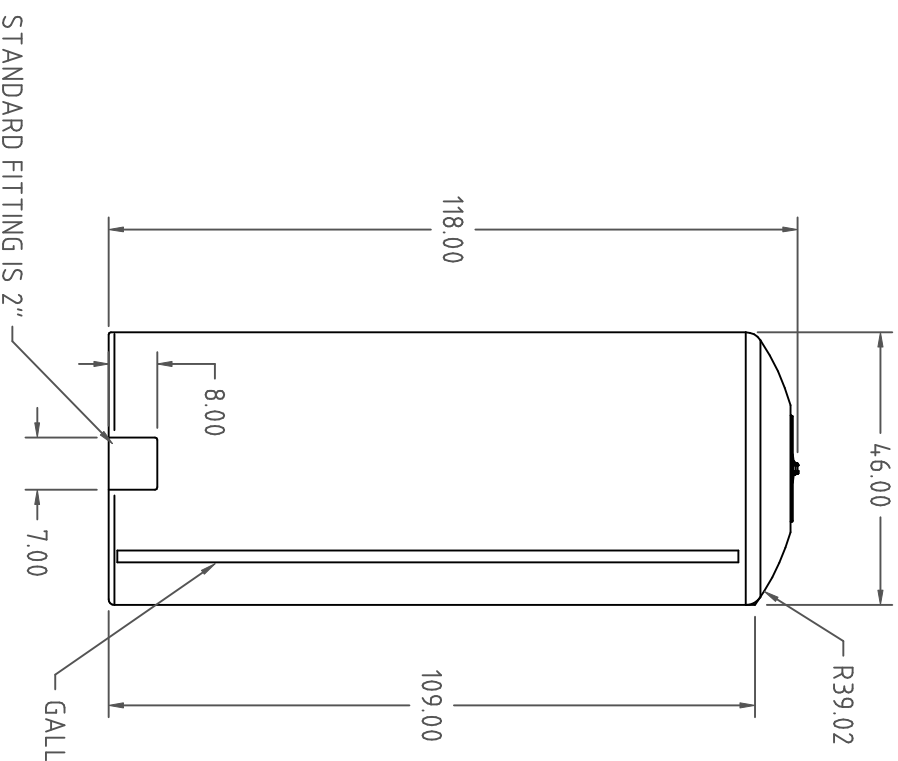
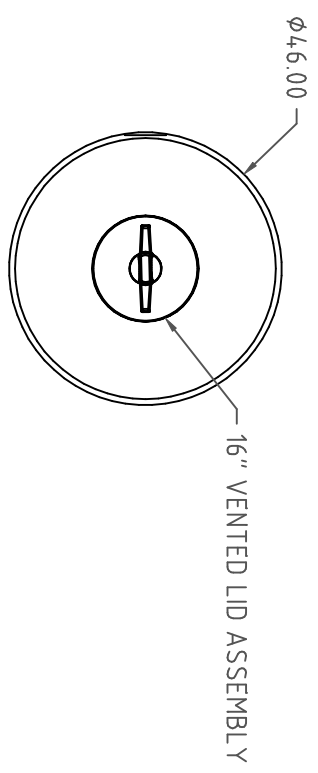


© DEN HARTOG INDUSTRIES, INC.

Copyright: All information furnished within this document, electronic file or design correspondence is the property of Den Hartog Industries, Inc. and shall not be used, disclosed to others or copied without the expressed written consent of Den Hartog Industries, Inc.

VT0800-46

B



B	UPDATED TOLERANCE	CCN823	3/12/09	REH
A	UPDATED SHOT WEIGHT		9/12/06	
REV	DESCRIPTION	DATE	APPRD	

DRAWN / DATE	REH/4/24/01
APPRD. / DATE	REH/4/24/01
THIRD ANGLE PROJECTION ANSI 14.5M	

MATERIAL / SHOT WEIGHT	175 LBS.
NOTES:	1. .260 NOMINAL WALL

CLIENT / DESCRIPTION	<p>ACE ROTO-MOLD A DIVISION OF DEN HARTOG INDUSTRIES, INC. 4010 HOSPERS DRIVE S., BOX 425, HOSPERS, IA 51238</p>	
SCALE	N.S.	PART NO.
ACE 800 GALLON VERTICAL TANK		
VT0800-46		

ALL DIMENSIONS ARE IN DECIMAL INCHES
TOLERANCES UNLESS OTHERWISE SPECIFIED
+ .1% @ 68° F