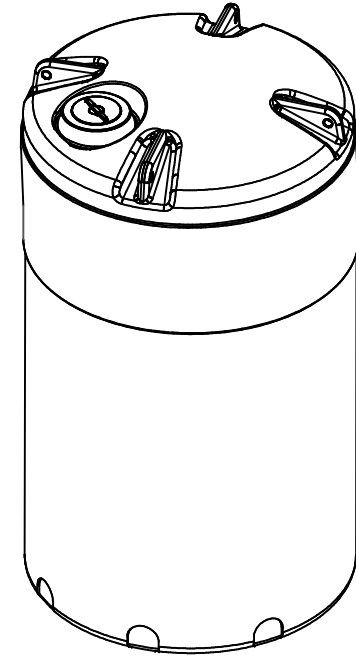
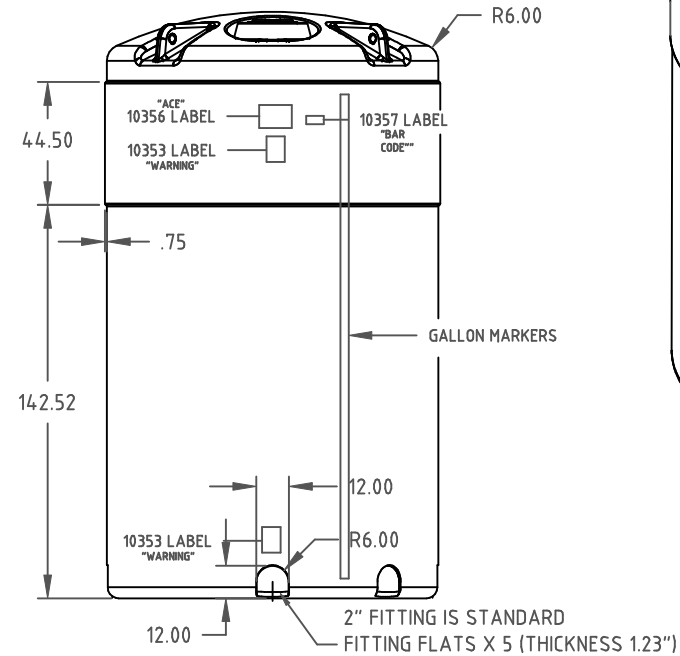
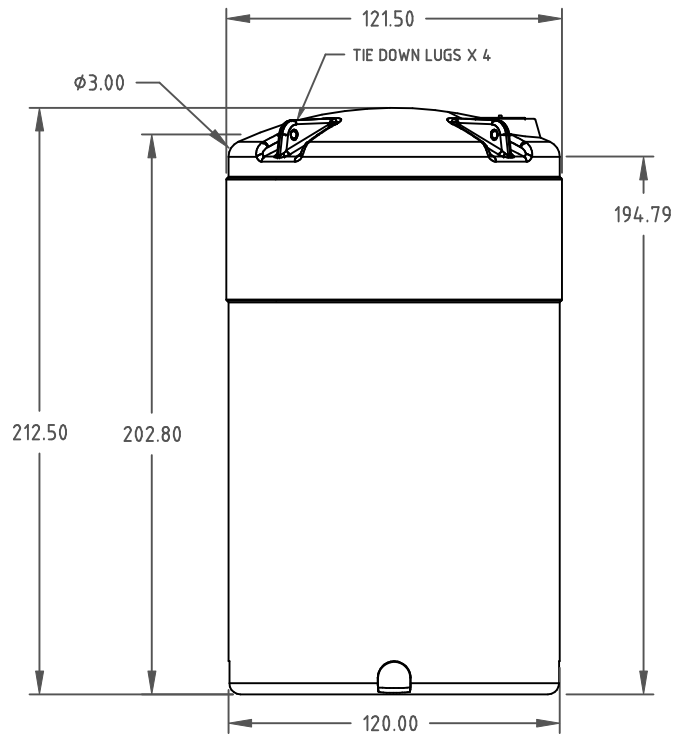
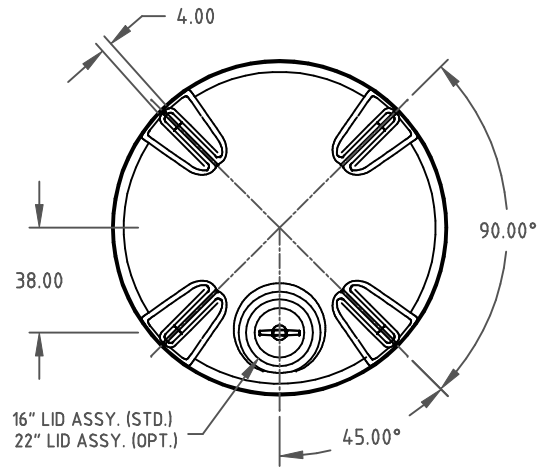


Copyright. All information furnished within this document, electronic file or design correspondence is the property of Den Hartog Industries, Inc. and shall not be used, disclosed to others or copied without the expressed written consent of Den Hartog Industries, Inc.




REV	DESCRIPTION	BY / DATE	CCN

ALL DIMENSIONS ARE IN DECIMAL INCHES TOLERANCES UNLESS OTHERWISE SPECIFIED		THIRD ANGLE PROJECTION ANSI 14.5M
POLYETHYLENE	METAL DECIMAL ± .125" FRACTION ± 1/4" ANGLE ± 1°	
±1% @ 68° F		

DRAWN / DATE DHJ/8/1/09
APPRD. / DATE REH / 8/26/09
SHOT WEIGHT: 2350 LBS
SHIPPING WEIGHT: 2352 LBS
FINISH:

MATERIAL 1.)HDPE OR EQUIVALENT
NOTES:



Den Hartog

INDUSTRIES, INC.

Ace Roto-Mold Injection Molding Blow Molding Saw-Joy
4010 HOSPERS DRIVE S. BOX 425, HOSPERS, IOWA 51238-0425

DESCRIPTION	9500 GALLON TANK		
SCALE	N.S.	PART NO.	VT9500-120