

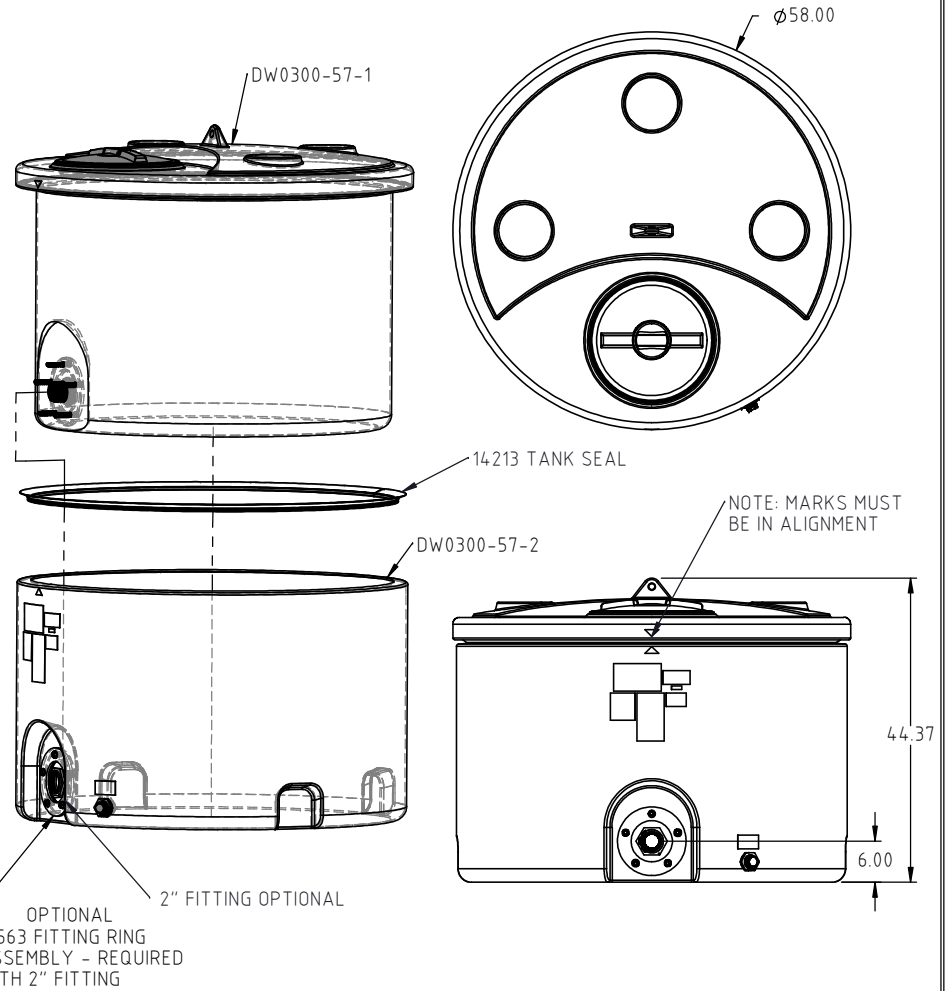
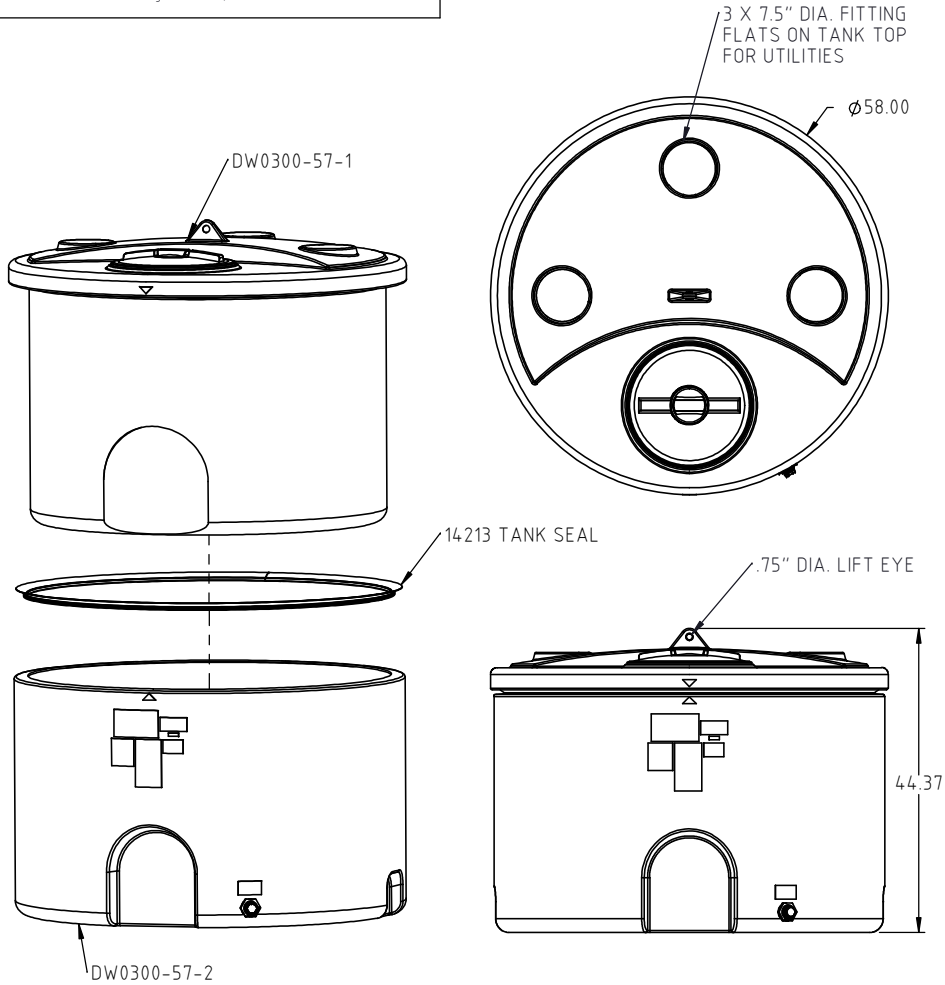
© DEN HARTOG INDUSTRIES, INC.

Copyright. All information furnished within this document, electronic file or design correspondence is the property of Den Hartog industries, Inc. and shall not be used, disclosed to others or copied without the expressed written consent of Den Hartog Industries, Inc.

STANDARD TANK ASSEMBLY

TANK ASSEMBLY WITH OPTIONAL 2" FITTING

DW0300-57



REV	DESCRIPTION	BY / DATE	CCN	DRAWN / DATE ADH 8/7/14	MATERIAL SEE NOTE 1
				APPRD. / DATE REH 8/12/14	
	ALL DIMENSIONS ARE IN DECIMAL INCHES TOLERANCES UNLESS OTHERWISE SPECIFIED	THIRD ANGLE PROJECTION ANSI 14.5M	SHOT WEIGHT:	NOTES:	
	POLYETHYLENE ±1% @ 68°F		SHIPPING WEIGHT: STANDARD = 190 LBS.	1.) REFERENCE COMPONENT PRINTS FOR DETAILS	
	METAL DECIMAL ± .125" FRACTION ± 1/4" ANGLE ± 1°		FINISH:	2.) PATENT PENDING	



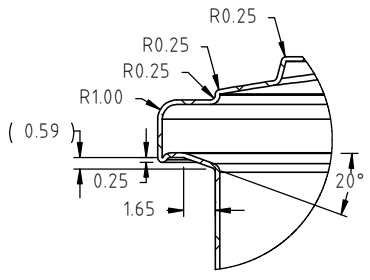
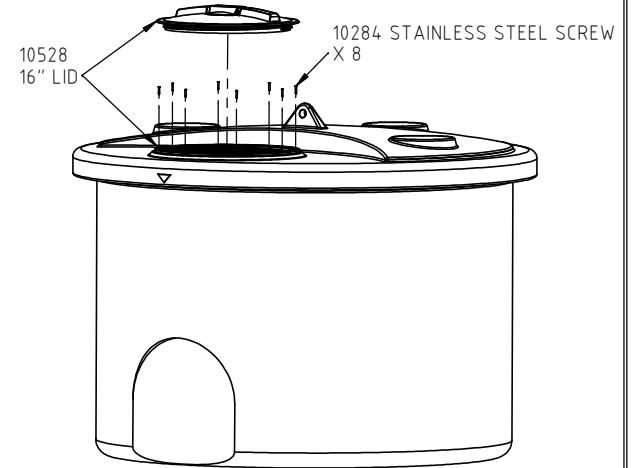
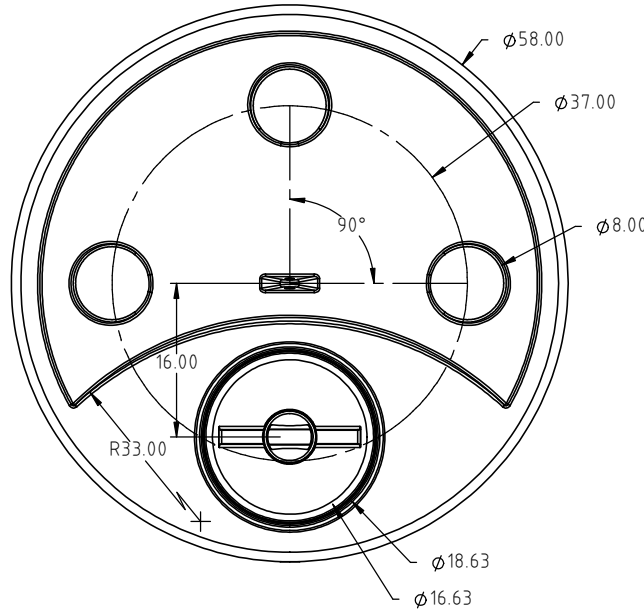
Den Hartog
INDUSTRIES, INC.

Ace Roto-Mold Injection Molding Blow Molding Sowjoy

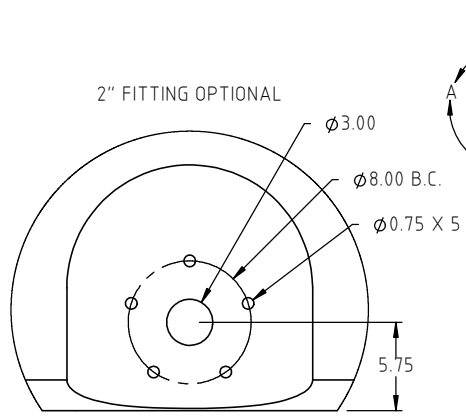
4010 HOSPERS DRIVE S. BOX 425, HOSPERS, IOWA 51238-0425

DESCRIPTION	300 GALLON DUAL LINE™ TANK ASSEMBLY	
SCALE	N.S.	PART NO. DW0300-57

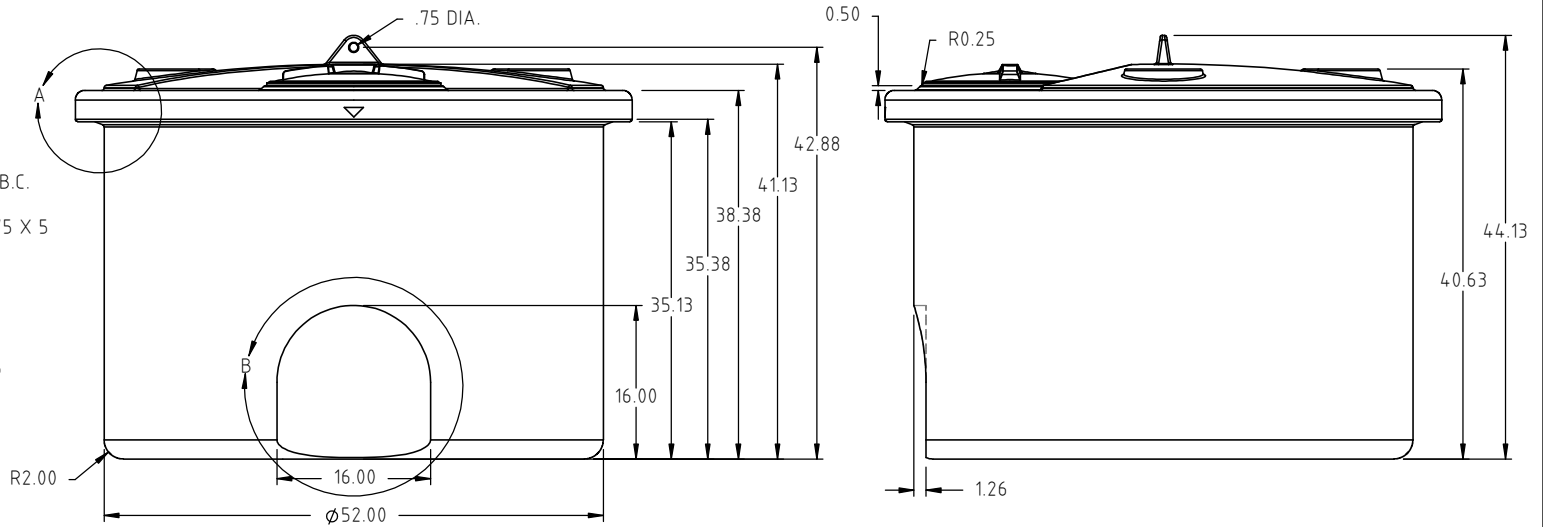
Copyright. All information furnished within this document, electronic file or design correspondence is the property of Den Hartog Industries, Inc. and shall not be used, disclosed to others or copied without the expressed written consent of Den Hartog Industries, Inc.



DETAIL A
SCALE 1:10



DETAIL B
SCALE 2:25



REV	DESCRIPTION	BY / DATE	CCN	DRAWN / DATE ADH 2/19/14	MATERIAL 10420
				APPRO. / DATE REH 8/12/14	
	ALL DIMENSIONS ARE IN DECIMAL INCHES TOLERANCES UNLESS OTHERWISE SPECIFIED	THIRD ANGLE PROJECTION ANSI 14.5M	SHOT WEIGHT: 93 LBS	NOTES: 1.) 0.250 NOM. WALL THICKNESS 2.) PATENT PENDING	
	POLYETHYLENE	METAL DECIMAL ± .125" FRACTION ± 1/4" ANGLE ± 1°	SHIPPING WEIGHT:	DESCRIPTION 300 GALLON DUAL LINE™ TANK-INNER TANK	
	±1% @ 68°F		FINISH:	SCALE N.S.	PART NO. DW0300-57-1

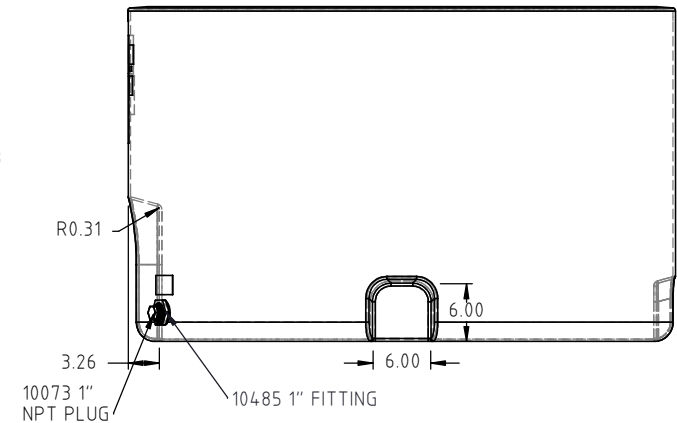
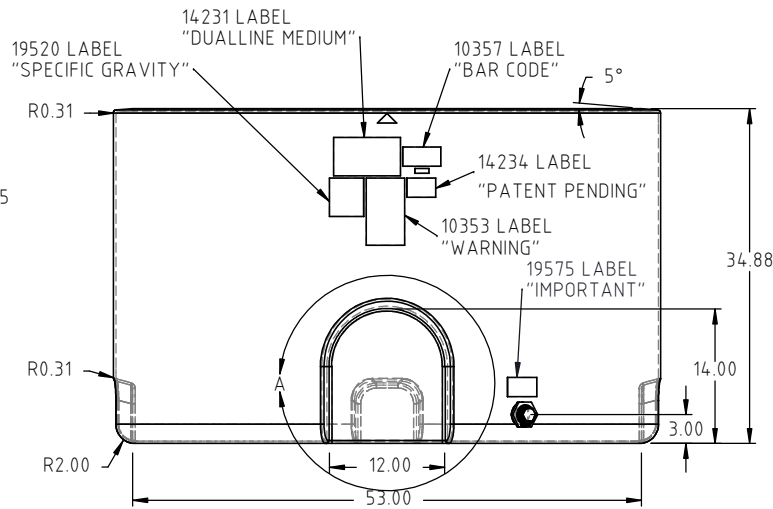
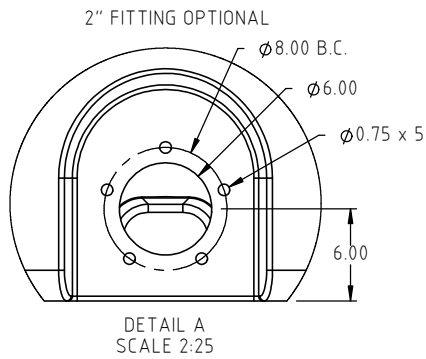
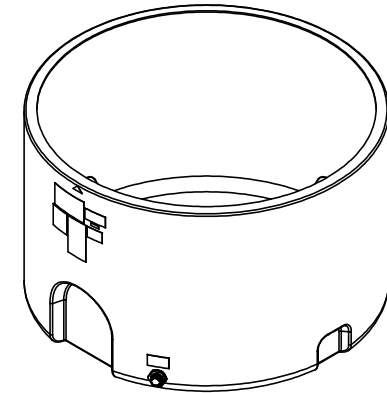
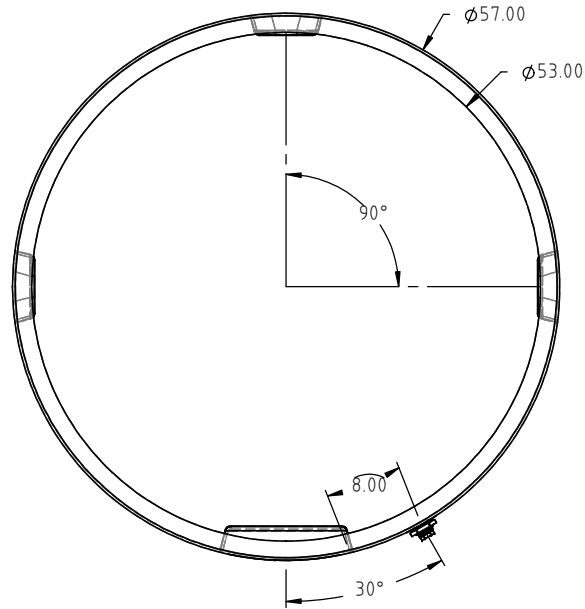


Den Hartog
INDUSTRIES, INC.

Ace Roto-Mold Injection Molding Blow Molding Sowjoy

4010 HOSPERS DRIVE S. BOX 425, HOSPERS, IOWA 51238-0425

Copyright. All information furnished within this document, electronic file or design correspondence is the property of Den Hartog industries, Inc. and shall not be used, disclosed to others or copied without the expressed written consent of Den Hartog Industries, Inc.



				DRAWN / DATE ADH 10/16/12		MATERIAL	
				APPROD. / DATE REH 8/12/14		10420	
REV	DESCRIPTION	BY / DATE	CCN	SHOT WEIGHT: 90 LBS.		NOTES:	
ALL DIMENSIONS ARE IN DECIMAL INCHES TOLERANCES UNLESS OTHERWISE SPECIFIED		THIRD ANGLE PROJECTION ANSI 14.5M		SHIPPING WEIGHT: 73 LBS.		1.) 0.240 NOM. WALL THICKNESS	
POLYETHYLENE		METAL DECIMAL ± .125" FRACTION ± 1/4" ANGLE ± 1°		FINISH:		2.) PATENT PENDING	
±1% @ 68°F							



Den Hartog
INDUSTRIES, INC.

Ace Roto-Mold Injection Molding Blow Molding Sowjoy

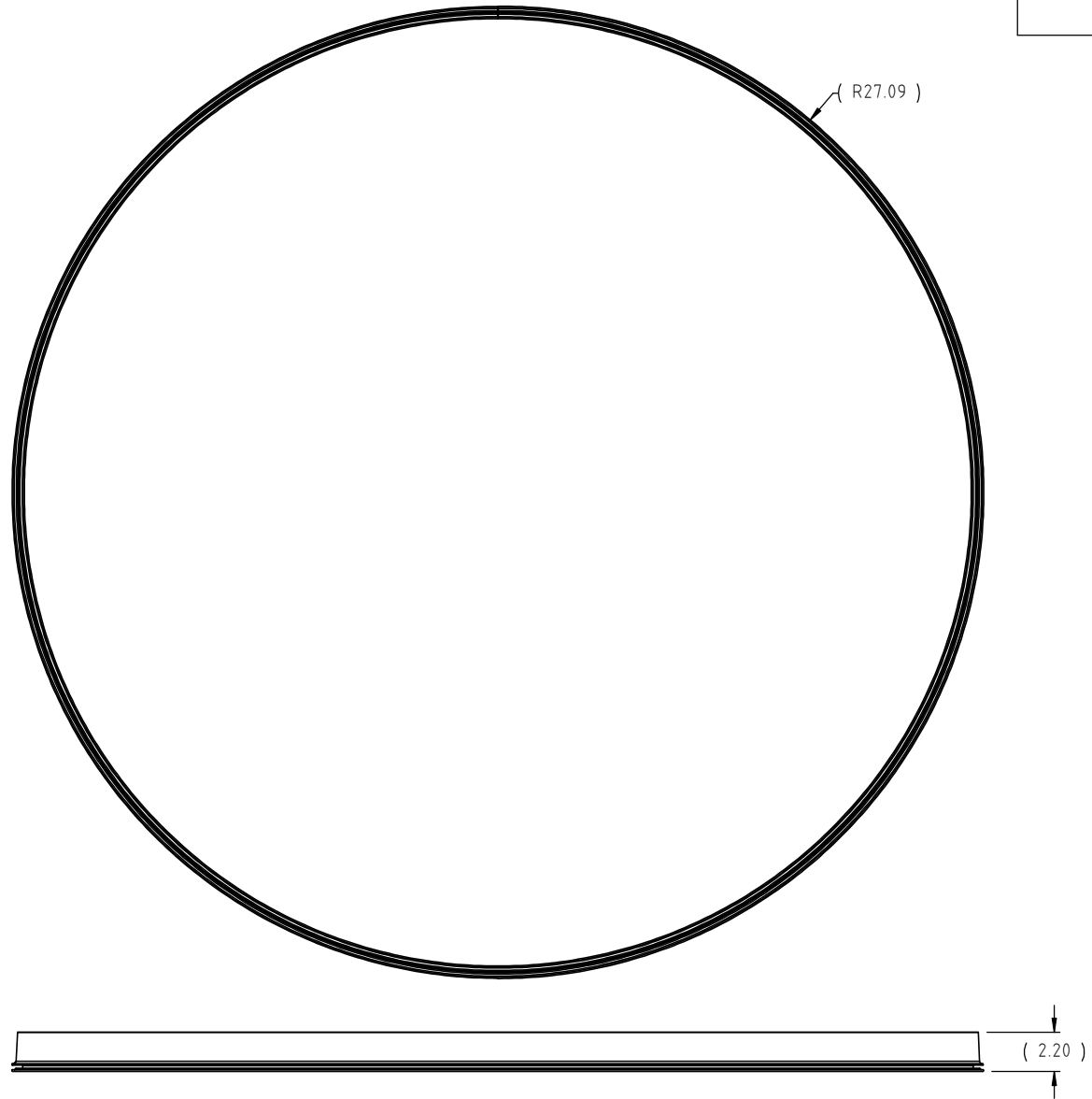
4010 HOSPERS DRIVE S. BOX 425, HOSPERS, IOWA 51238-0425

DESCRIPTION		300 GALLON DUAL LINE™ TANK- OUTER TANK	
SCALE	N.S.	PART NO.	DW0300-57-2

© DEN HARTOG INDUSTRIES, INC.

Copyright. All information furnished within this document, electronic file or design correspondence is the property of Den Hartog industries, Inc. and shall not be used, disclosed to others or copied without the expressed written consent of Den Hartog Industries, Inc.

14213



				DRAWN / DATE ADH 7/14/14	MATERIAL EPDM
				APPROD. / DATE REH 10/30/14	
REV	DESCRIPTION	BY / DATE	CCN		
ALL DIMENSIONS ARE IN DECIMAL INCHES TOLERANCES UNLESS OTHERWISE SPECIFIED		THIRD ANGLE PROJECTION ANSI 14.5M		SHOT WEIGHT:	NOTES: 1.) PURCHASED 2.) 166.50 IN LENGTH
POLYETHYLENE		METAL DECIMAL ± .125" FRACTION ± 1/4" ANGLE ± 1°		SHIPPING WEIGHT:	
±1% @ 68°F				FINISH:	



Den Hartog
INDUSTRIES, INC.

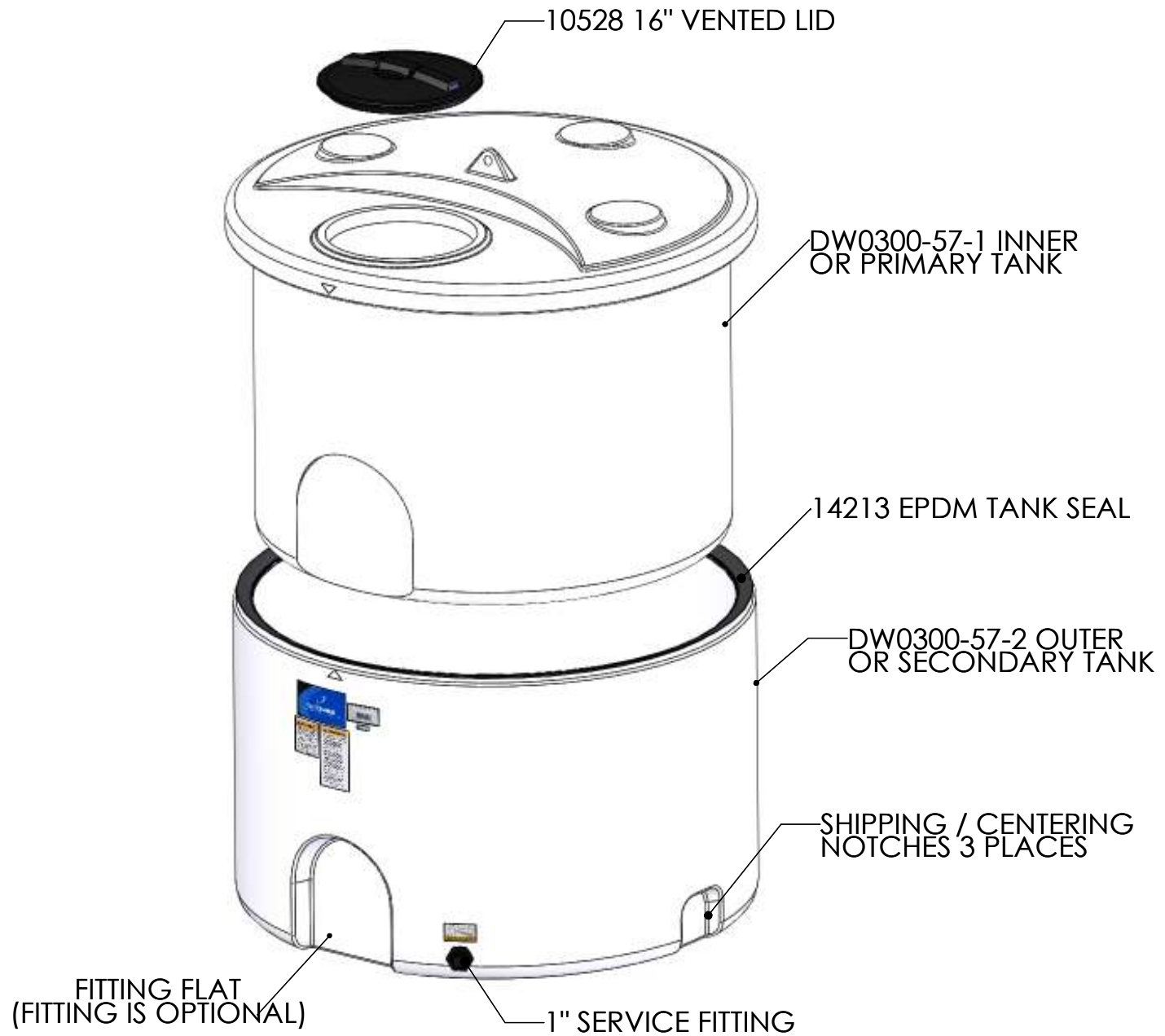
Ace Roto-Mold Injection Molding Blow Molding Sowjoy

4010 HOSPERS DRIVE S. BOX 425, HOSPERS, IOWA 51238-0425

DESCRIPTION 57 INCH DIAMETER DOUBLE WALL TANK- GASKET

SCALE N.S. PART NO. 14213

DW0300-57 DOUBLE WALL TANK STANDARD COMPONENTS

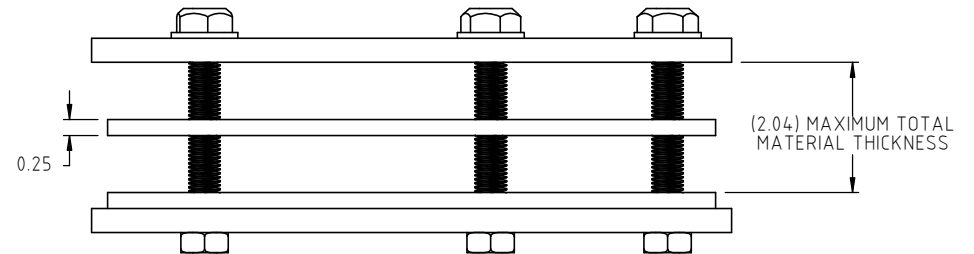
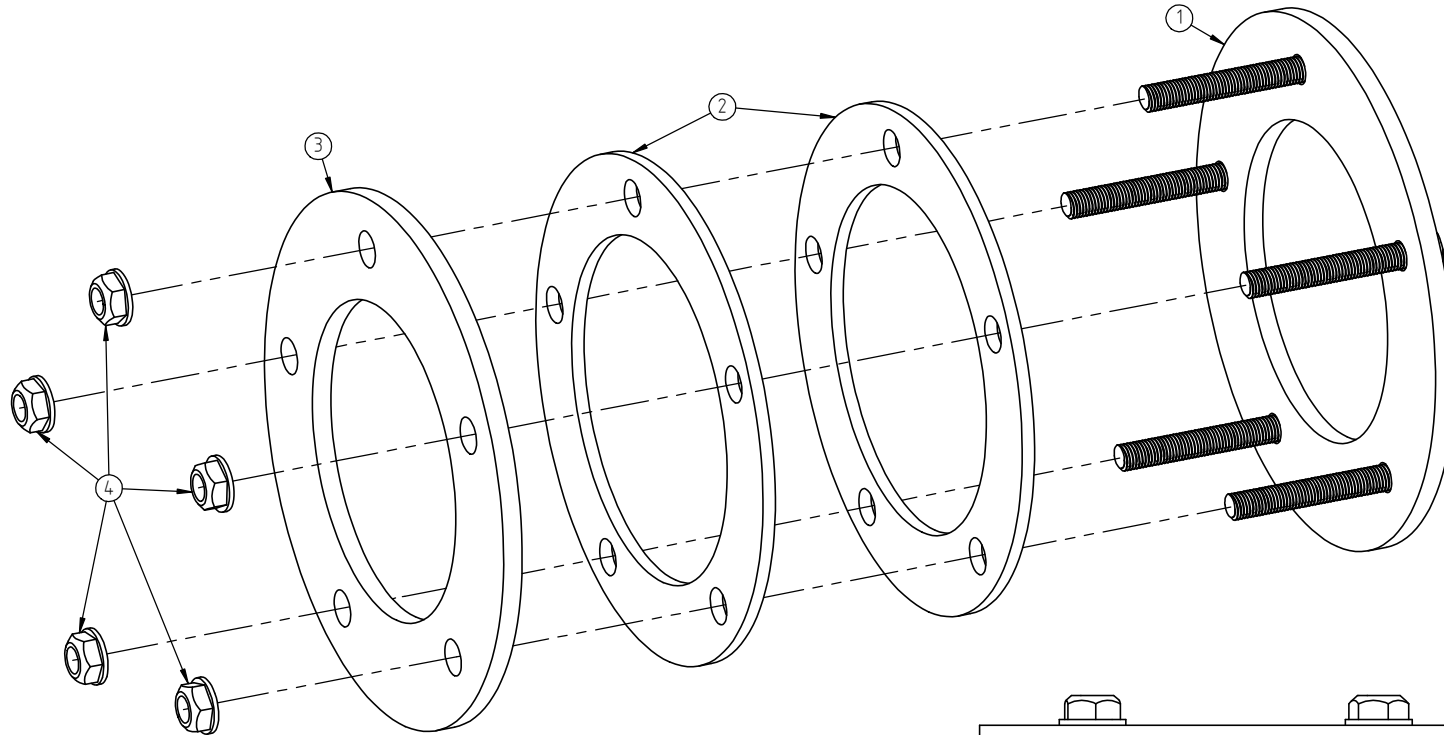


© DEN HARTOG INDUSTRIES, INC.

Copyright. All information furnished within this document, electronic file or design correspondence is the property of Den Hartog Industries, Inc. and shall not be used, disclosed to others or copied without the expressed written consent of Den Hartog Industries, Inc.

KEY	PART NUMBER	DESCRIPTION	QTY.
1	19564	2" FITTING RING WELDMENT	1
2	19555	2" FITTING GASKET	2
3	19566	2" FITTING RING	1
4	19568	NUT, 1/2" SS	5

19563



				DRAWN / DATE ADH 9/26/14	MATERIAL SEE COMPONENTS
				APPRO. / DATE REH 10/29/14	
REV	DESCRIPTION	BY / DATE	CCN		
ALL DIMENSIONS ARE IN DECIMAL INCHES TOLERANCES UNLESS OTHERWISE SPECIFIED		THIRD ANGLE PROJECTION ANSI 14.5M		SHOT WEIGHT:	NOTES: 1.) PATENT PENDING
POLYETHYLENE		METAL DECIMAL ± .125" FRACTION ± 1/4" ANGLE ± 1°		SHIPPING WEIGHT:	
±1% @ 68°F				FINISH: NONE	



Den Hartog
INDUSTRIES, INC.

Ace Roto-Mold Injection Molding Blow Molding Sowjoy

4010 HOSPERS DRIVE S. BOX 425, HOSPERS, IOWA 51238-0425

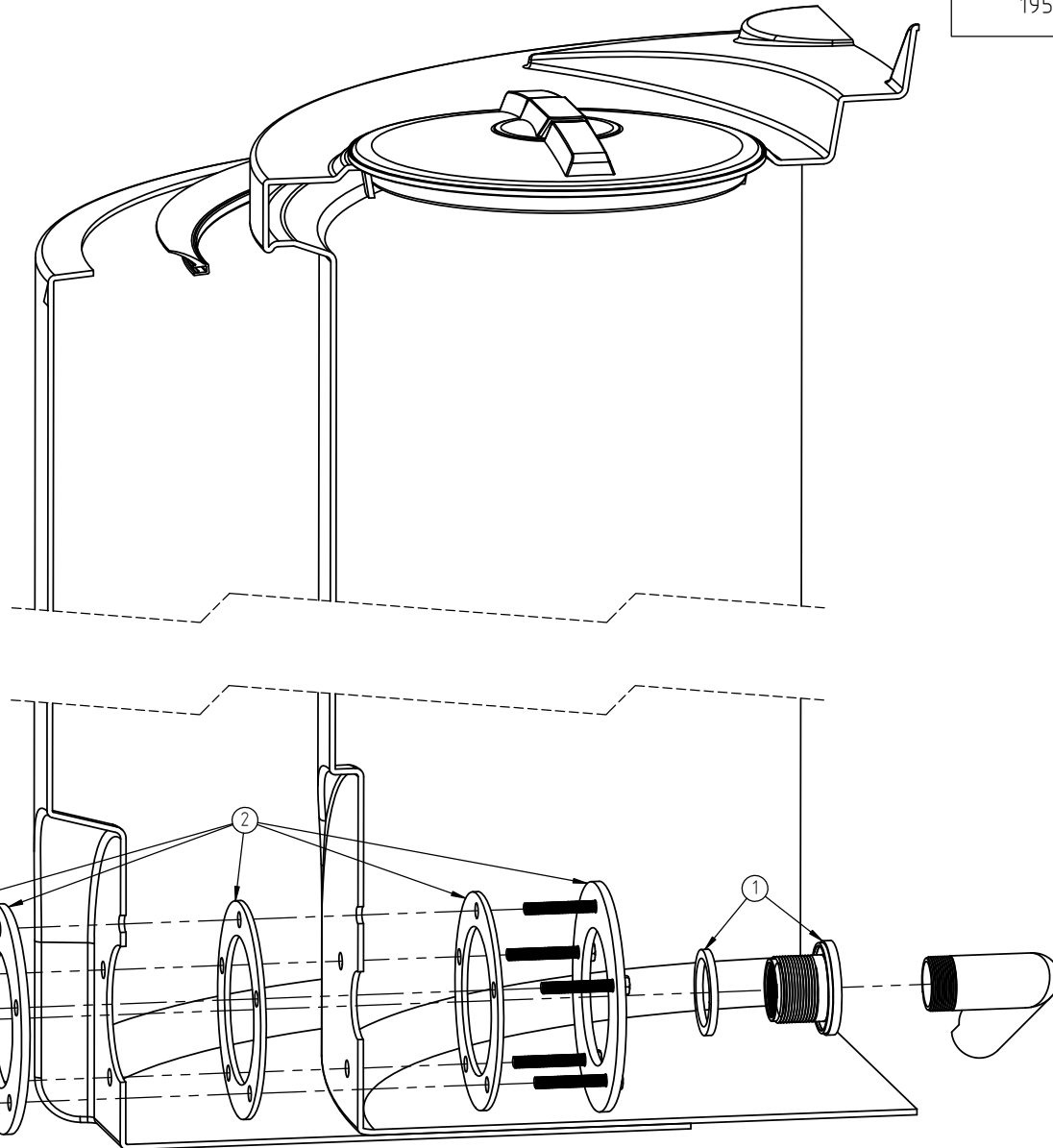
DESCRIPTION 2" DUAL LINE™ TANK FITTING RING ASSEMBLY	
SCALE N.S.	PART NO. 19563

© DEN HARTOG INDUSTRIES, INC.

Copyright. All information furnished within this document, electronic file or design correspondence is the property of Den Hartog Industries, Inc. and shall not be used, disclosed to others or copied without the expressed written consent of Den Hartog Industries, Inc.

19563 INSTALL

KEY	PART NUMBER	DESCRIPTION	QTY.
1	10508	BULKHEAD, 2" FITTING	1
2	19563	2" DOUBLE WALL RING ASSEMBLY	1
3	10488		1



				DRAWN / DATE ADH 10/16/13	MATERIAL
				APPRD. / DATE REH 10/29/14	
REV	DESCRIPTION	BY / DATE	CCN	SHOT WEIGHT:	NOTES:
				SHIPPING WEIGHT:	1) PATENT PENDING
				FINISH:	
ALL DIMENSIONS ARE IN DECIMAL INCHES TOLERANCES UNLESS OTHERWISE SPECIFIED		THIRD ANGLE PROJECTION ANSI 14.5M			
POLYETHYLENE ±1% @ 68°F					
METAL DECIMAL ± .125" FRACTION ± 1/4" ANGLE ± 1°					



Den Hartog
INDUSTRIES, INC.

Ace Roto-Mold Injection Molding Blow Molding Sowjoy

4010 HOSPERS DRIVE S. BOX 425, HOSPERS, IOWA 51238-0425

DESCRIPTION	OPTIONAL 2" FITTING ASSEMBLY INSTALLATION	
SCALE	N.S.	PART NO.
		19563 INSTALL