

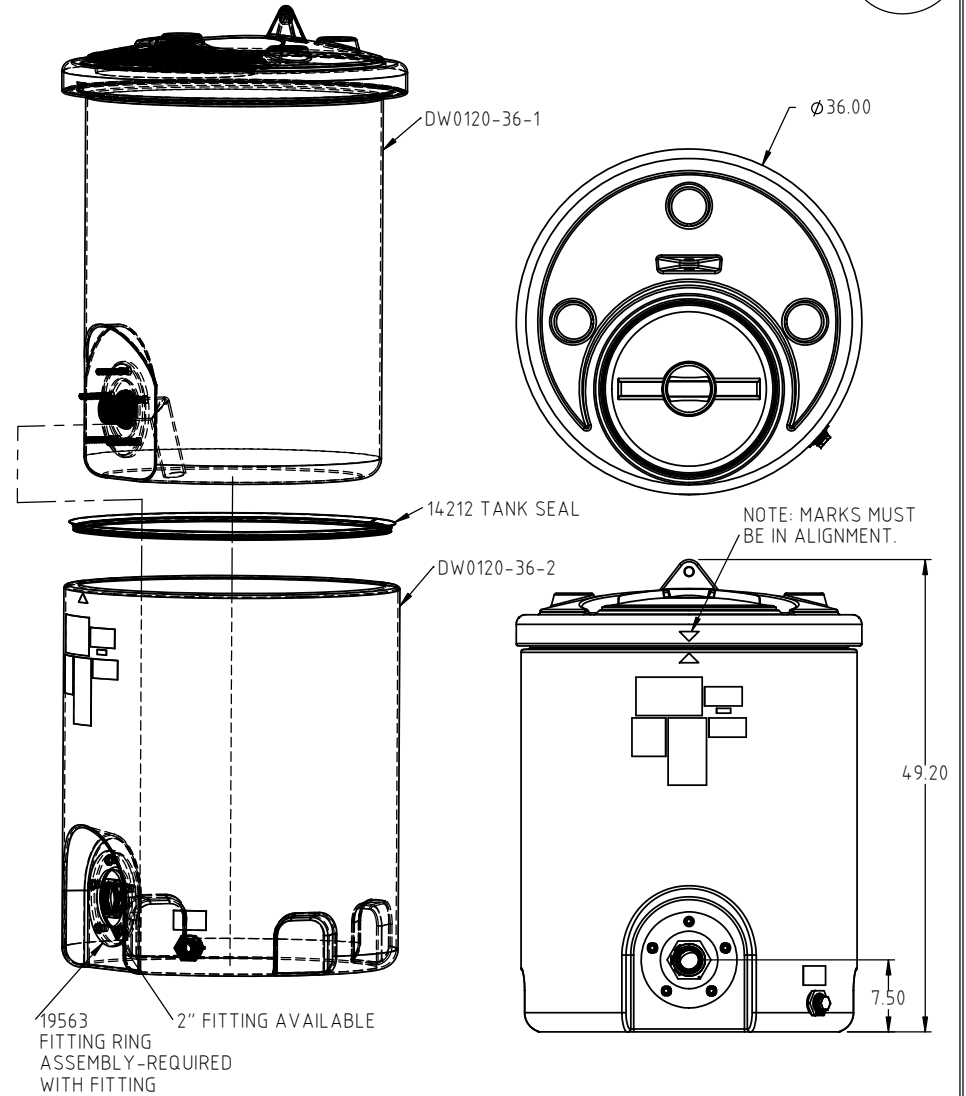
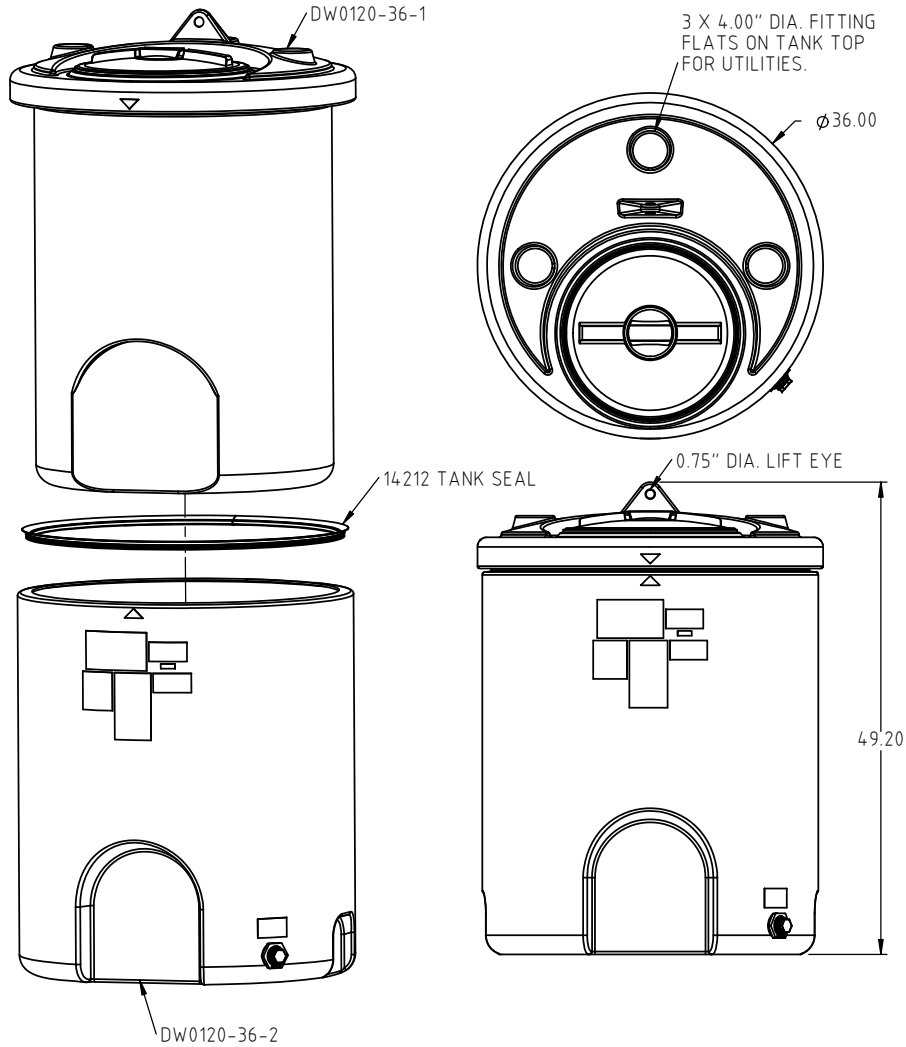
© DEN HARTOG INDUSTRIES, INC.

Copyright. All information furnished within this document, electronic file or design correspondence is the property of Den Hartog Industries, Inc. and shall not be used, disclosed to others or copied without the expressed written consent of Den Hartog Industries, Inc.


STANDARD TANK ASSEMBLY

TANK ASSEMBLY WITH OPTIONAL FITTING

DW0120-36



REV	DESCRIPTION	BY / DATE	CCN	DRAWN / DATE ADH 8/28/14	MATERIAL SEE NOTE 1
				APPRD. / DATE REH 2/13/15	
	ALL DIMENSIONS ARE IN DECIMAL INCHES TOLERANCES UNLESS OTHERWISE SPECIFIED	THIRD ANGLE PROJECTION ANSI 14.5M		SHOT WEIGHT: SHIPPING WEIGHT: 81 LBS. (STANDARD)	NOTES: 1.) REFERENCE COMPONENT PRINTS FOR DETAILS 2.) PATENT PENDING
	POLYETHYLENE ±1% @ 68°F	METAL DECIMAL ± .125" FRACTION ± 1/4" ANGLE ± 1°		FINISH:	



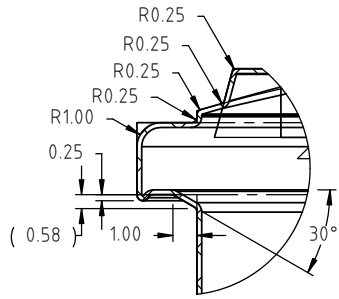
**Den Hartog**  
INDUSTRIES, INC.

Ace Roto-Mold Injection Molding Blow Molding Sowjoy

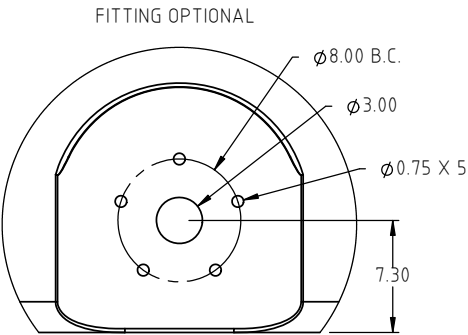
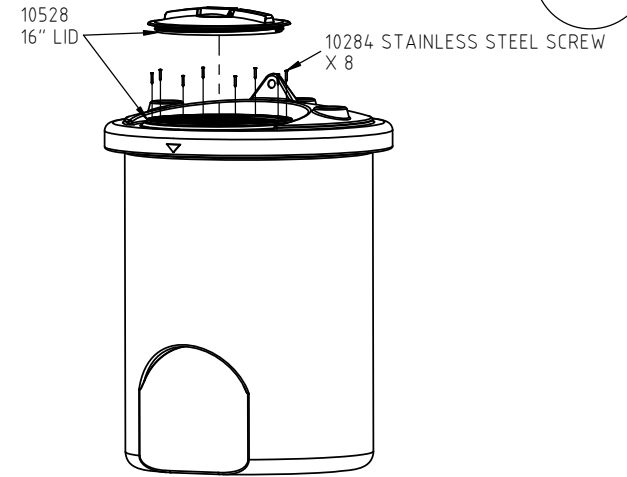
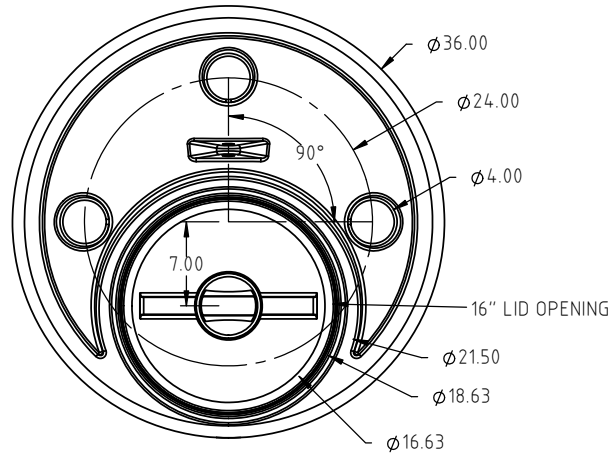
4010 HOSPERS DRIVE S. BOX 425, HOSPERS, IOWA 51238-0425

DESCRIPTION	120 GALLON DUAL LINE™ TANK ASSEMBLY	
SCALE	N.S.	PART NO. DW0120-36

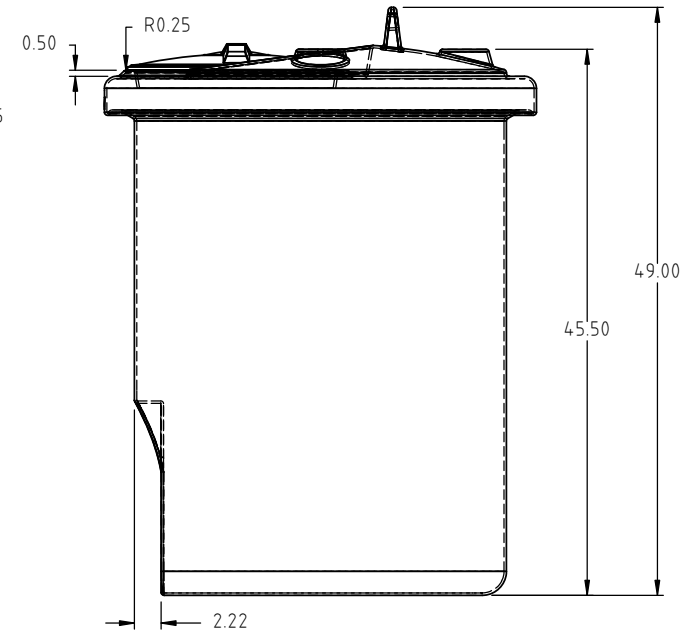
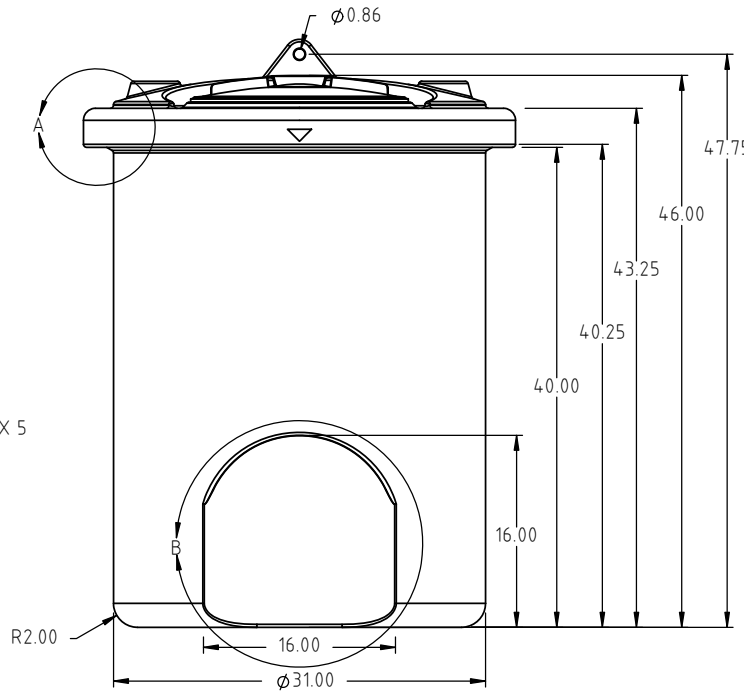
Copyright. All information furnished within this document, electronic file or design correspondence is the property of Den Hartog Industries, Inc. and shall not be used, disclosed to others or copied without the expressed written consent of Den Hartog Industries, Inc.



DETAIL A  
SCALE 1:10



DETAIL B  
SCALE 2:25



DRAWN / DATE ADH 2/19/14		MATERIAL 10420	
APPROD. / DATE REH 2/13/15		SHOT WEIGHT: 42 LBS	
REV	DESCRIPTION	BY / DATE	CCN
ALL DIMENSIONS ARE IN DECIMAL INCHES TOLERANCES UNLESS OTHERWISE SPECIFIED		THIRD ANGLE PROJECTION ANSI 14.5M	
POLYETHYLENE		SHIPPING WEIGHT:	
METAL DECIMAL ± .125" FRACTION ± 1/4" ANGLE ± 1°		FINISH:	
±1% @ 68°F		NOTES: 1.) 0.200 NOM. WALL THICKNESS 2.) PATENT PENDING	



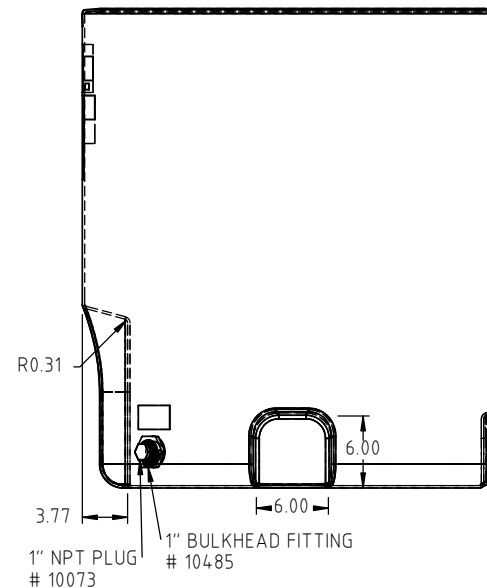
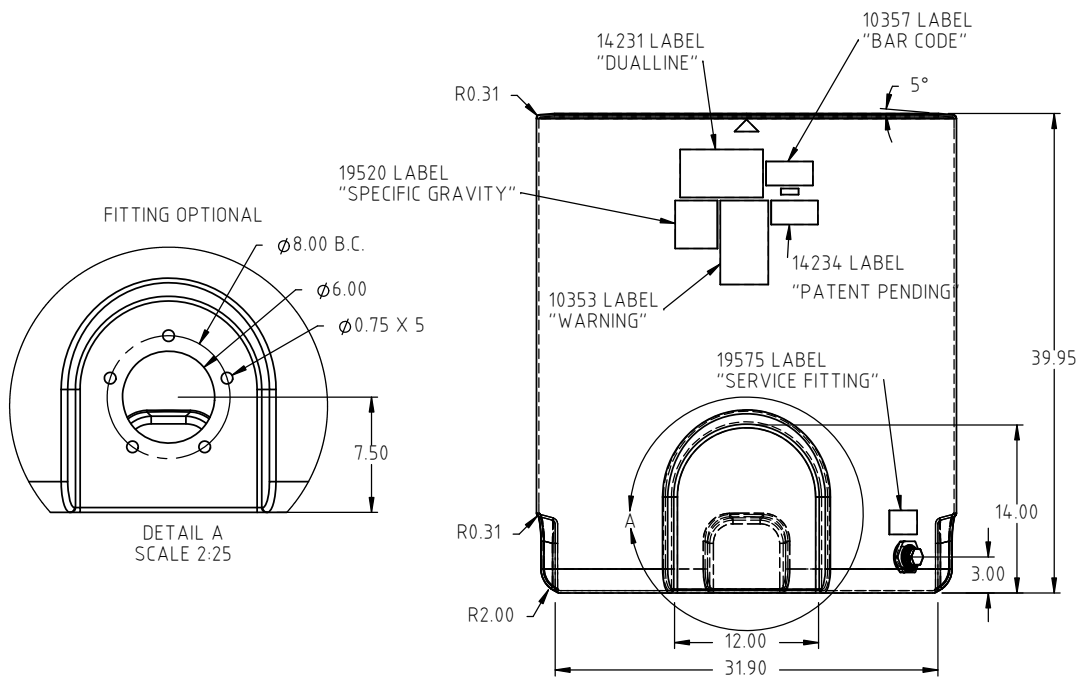
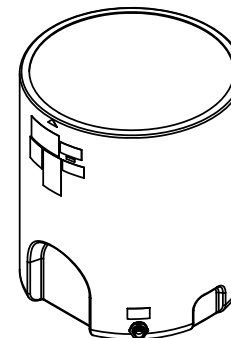
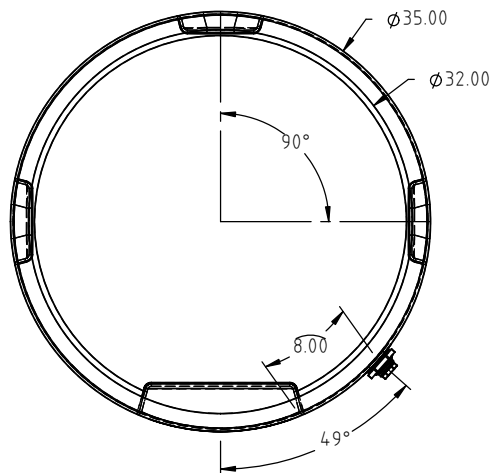
**Den Hartog**  
INDUSTRIES, INC.

Ace Roto-Mold Injection Molding Blow Molding Sowjoy

4010 HOSPERS DRIVE S. BOX 425, HOSPERS, IOWA 51238-0425

DESCRIPTION 120 GALLON DUAL LINE™ TANK-INNER TANK	
SCALE N.S.	PART NO. DW0120-36-1

Copyright. All information furnished within this document, electronic file or design correspondence is the property of Den Hartog Industries, Inc. and shall not be used, disclosed to others or copied without the expressed written consent of Den Hartog Industries, Inc.



		DRAWN / DATE ADH 2/19/14		MATERIAL 10420	
		APPRD. / DATE REH 10/20/14			
REV	DESCRIPTION	BY / DATE	CCN	SHOT WEIGHT: 43 LBS.	
ALL DIMENSIONS ARE IN DECIMAL INCHES TOLERANCES UNLESS OTHERWISE SPECIFIED		THIRD ANGLE PROJECTION ANSI 14.5M		SHIPPING WEIGHT: 37 LBS.	
POLYETHYLENE		METAL DECIMAL ± .125" FRACTION ± 1/4" ANGLE ± 1°		FINISH:	
±1% @ 68°F				NOTES: 1) 0.200 NOM. WALL THICKNESS 2) PATENT PENDING	



**Den Hartog**  
INDUSTRIES, INC.

Ace Roto-Mold Injection Molding Blow Molding Sowjoy

4010 HOSPERS DRIVE S. BOX 425, HOSPERS, IOWA 51238-0425

DESCRIPTION 120 GALLON DUAL LINE™ TANK- OUTER TANK	
SCALE N.S.	PART NO. DW0120-36-2