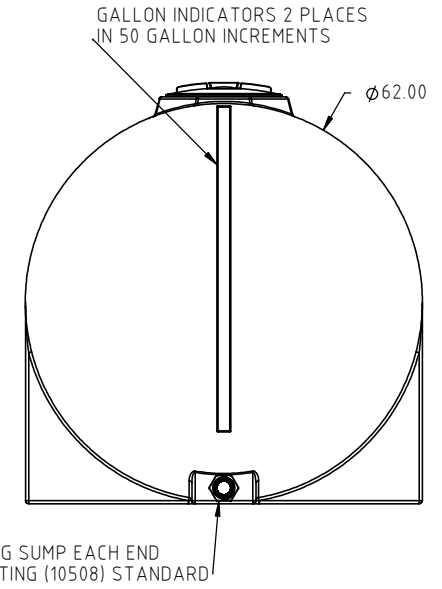
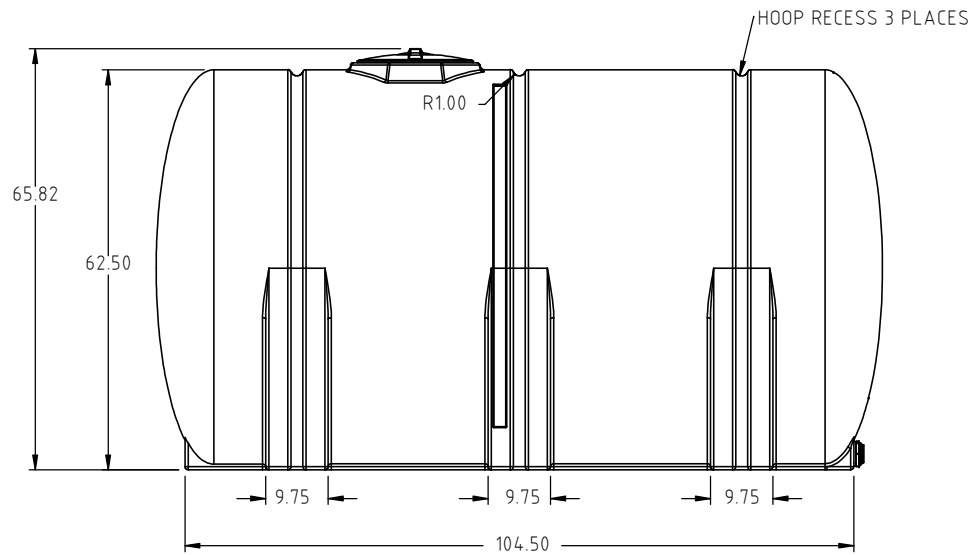
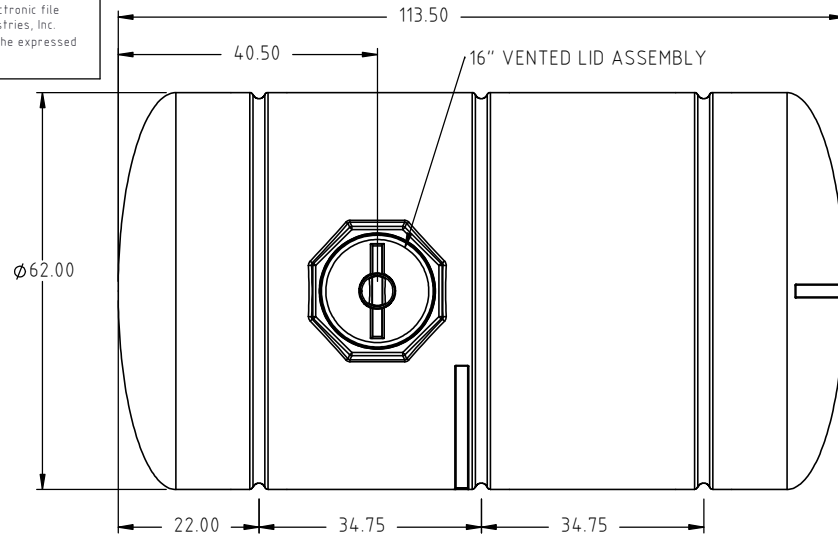


Copyright. All information furnished within this document, electronic file or design correspondence is the property of Den Hartog Industries, Inc. and shall not be used, disclosed to others or copied without the expressed written consent of Den Hartog Industries, Inc.



NOTE: 3 HOOPS ARE REQUIRED ON THIS TANK

				DRAWN / DATE REH 4/27/01	MATERIAL HDPE
A	BAFFLE FEATURES REMOVED.	ADH 6/29/16	3260	APPROD. / DATE DHJ 4/27/01	
REV	DESCRIPTION	BY / DATE	CCN		
ALL DIMENSIONS ARE IN DECIMAL INCHES TOLERANCES UNLESS OTHERWISE SPECIFIED		THIRD ANGLE PROJECTION ANSI 14.5M		SHOT WEIGHT: 425.00 LBS	NOTES: 1.) AVAILABLE IN NATURAL OR YELLOW COLOR. 2.) NOM. WALL = 0.400
POLYETHYLENE	METAL DECIMAL ± .125" FRACTION ± 1/4" ANGLE ± 1°			SHIPPING WEIGHT:	
±1% @ 68°F				FINISH:	



**Den Hartog**  
INDUSTRIES, INC.

Ace Roto-Mold Injection Molding Blow Molding Sowjoy

4010 HOSPERS DRIVE S. BOX 425, HOSPERS, IOWA 51238-0425

DESCRIPTION 1300 GAL. FREE STANDING LEG TANK	
SCALE N.S.	PART NO. FS1300-DW