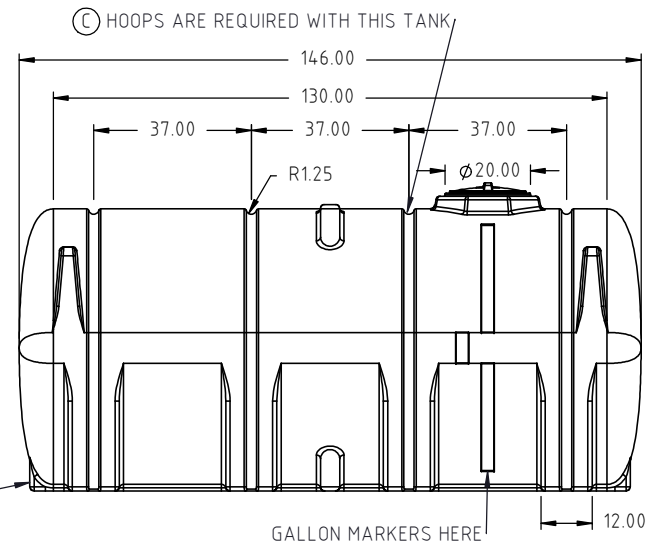
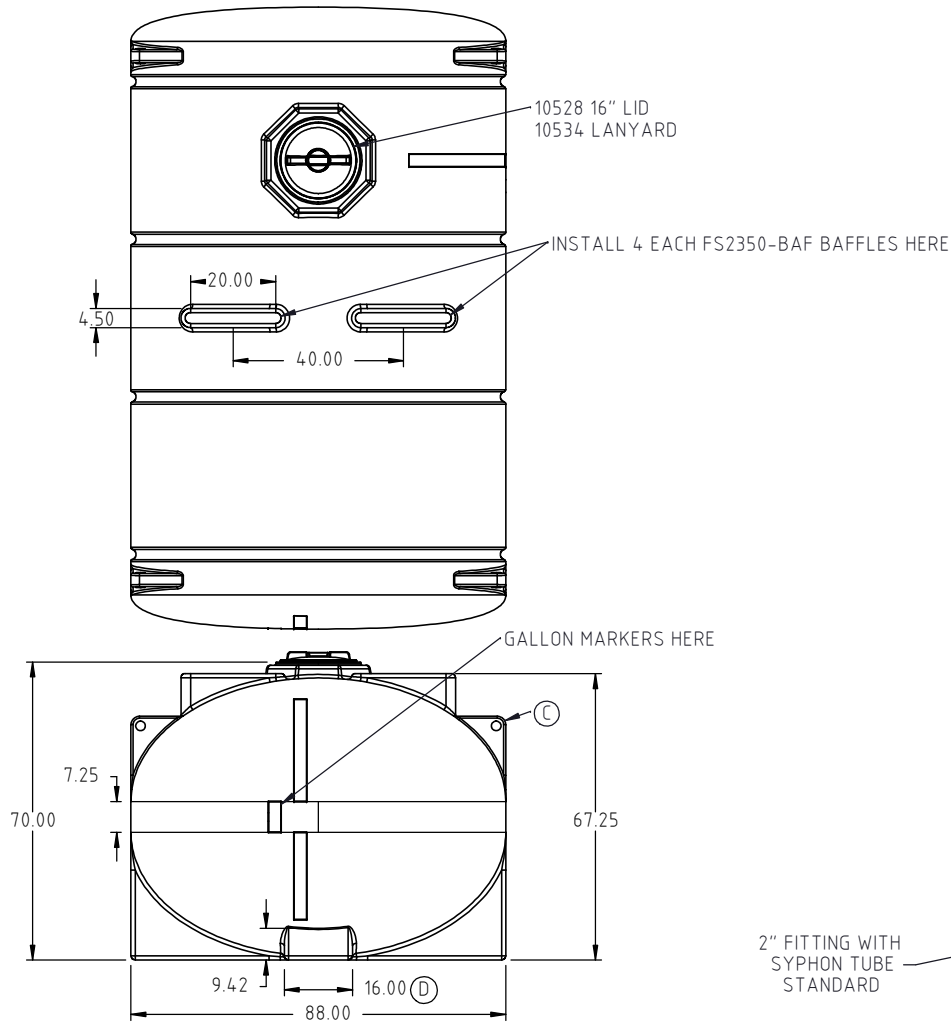


Copyright. All information furnished within this document, electronic file or design correspondence is the property of Den Hartog industries, Inc. and shall not be used, disclosed to others or copied without the expressed written consent of Den Hartog Industries, Inc.



D	16.00" WAS 12.00"	ADH 1/27/12	2358		
C	SHIP WT., NOTES ADDED, LIFTING LUGS SHOWN	ADH 4/7/10	2015	DRAWN / DATE	MATERIAL
B	UPDATED ADDRESS B AND TOLERANCE	REH 3/3/09	1817	DHJ 3/13/06	10538 NATURAL
A	CORRECTED PART NO.	DHJ 1/8/07		APPRD. / DATE	
REV	DESCRIPTION	BY / DATE	CCN	REH 3/14/06	
ALL DIMENSIONS ARE IN DECIMAL INCHES TOLERANCES UNLESS OTHERWISE SPECIFIED		THIRD ANGLE PROJECTION ANSI 14.5M		SHOT WEIGHT:	NOTES:
POLYETHYLENE		METAL DECIMAL ± .125" FRACTION ± 1/4" ANGLE ± 1°		1060 LBS.	1.) 0.500 NOMINAL WALL 2.) BLUE, BLACK, WHITE OR YELLOW COLOR
±1% @ 68°F				SHIPPING WEIGHT: 1150 LBS.	
				FINISH:	



## Den Hartog

INDUSTRIES, INC.

Acro Roto-Mold Injection Molding Blow Molding Sowjoy

4010 HOSPERS DRIVE S. BOX 425, HOSPERS, IOWA 51238-0425

DESCRIPTION		2750 GALLON ELLIPTICAL LEG TANK	
SCALE	N.S.	PART NO.	FS2750-88