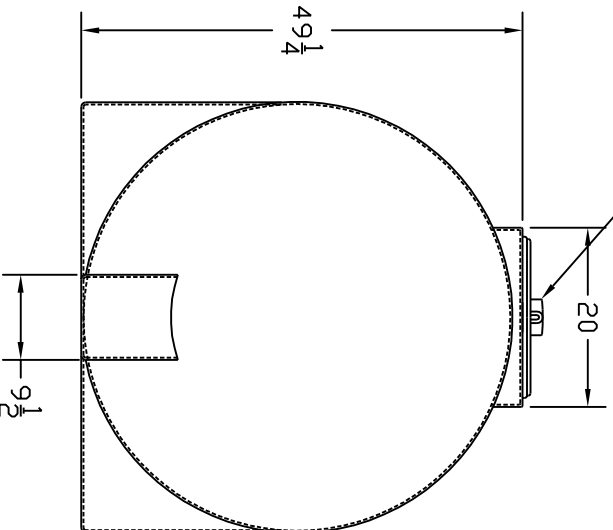
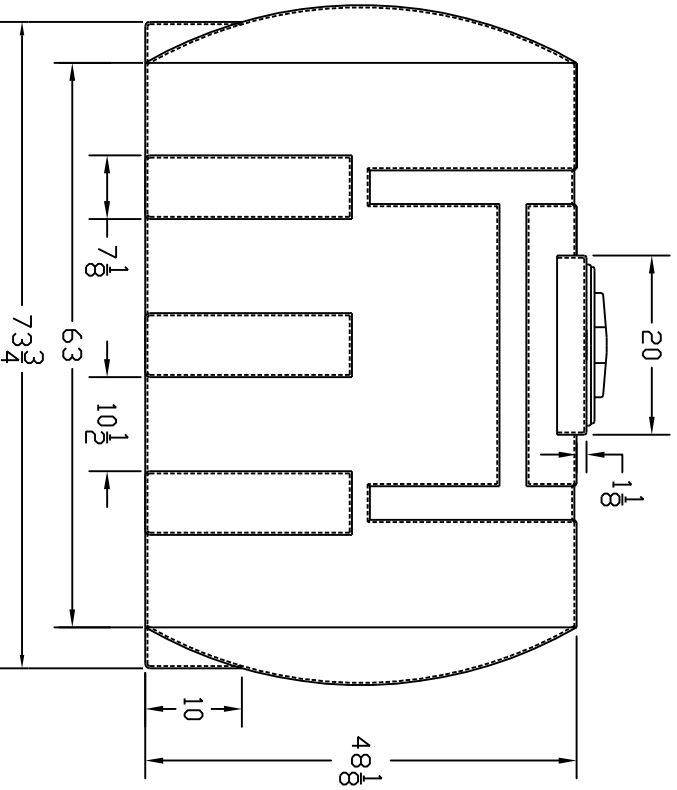


16" Dia.
Manway



ALL DIMENSIONS SHOWN ARE OUTSIDE PART DIMENSIONS IN INCHES, AND VARY BY THE STANDARD ROTATIONAL MOLDING TOLERANCE OF 2% TO 3%.

THIS DRAWING & DESIGN IS THE PROPERTY OF CHEM-TAINER INDUSTRIES INC. IT MAY NOT BE USED FOR ANY PURPOSE OTHER THAN BY THE OWNER. CHEM-TAINER IND. DOES NOT AUTHORIZE THE REPRODUCTION OR CONVEYANCE OF ANY INFORMATION CONTAINED HEREIN.

Rev. 1	Date 09/28/11	File Name	
Rev. 0	Date 11/13/00	File Name	LAS476-9
CHEM-TAINER Industries Inc. 361 Neptune Ave. N. Babylon, NY 11704 (631) 661-8300 Fax (631) 661-8209		Date	Mold Location
TITLE 550 GAL. ROUND HORIZ. BULK STORAGE TANK		11/13/00	HI
Part # TCS476LC/LA		Drawn By: IAA	Cust. Rep.

Part #	Dwg. #
TCS476LC/LA	C-5476-19