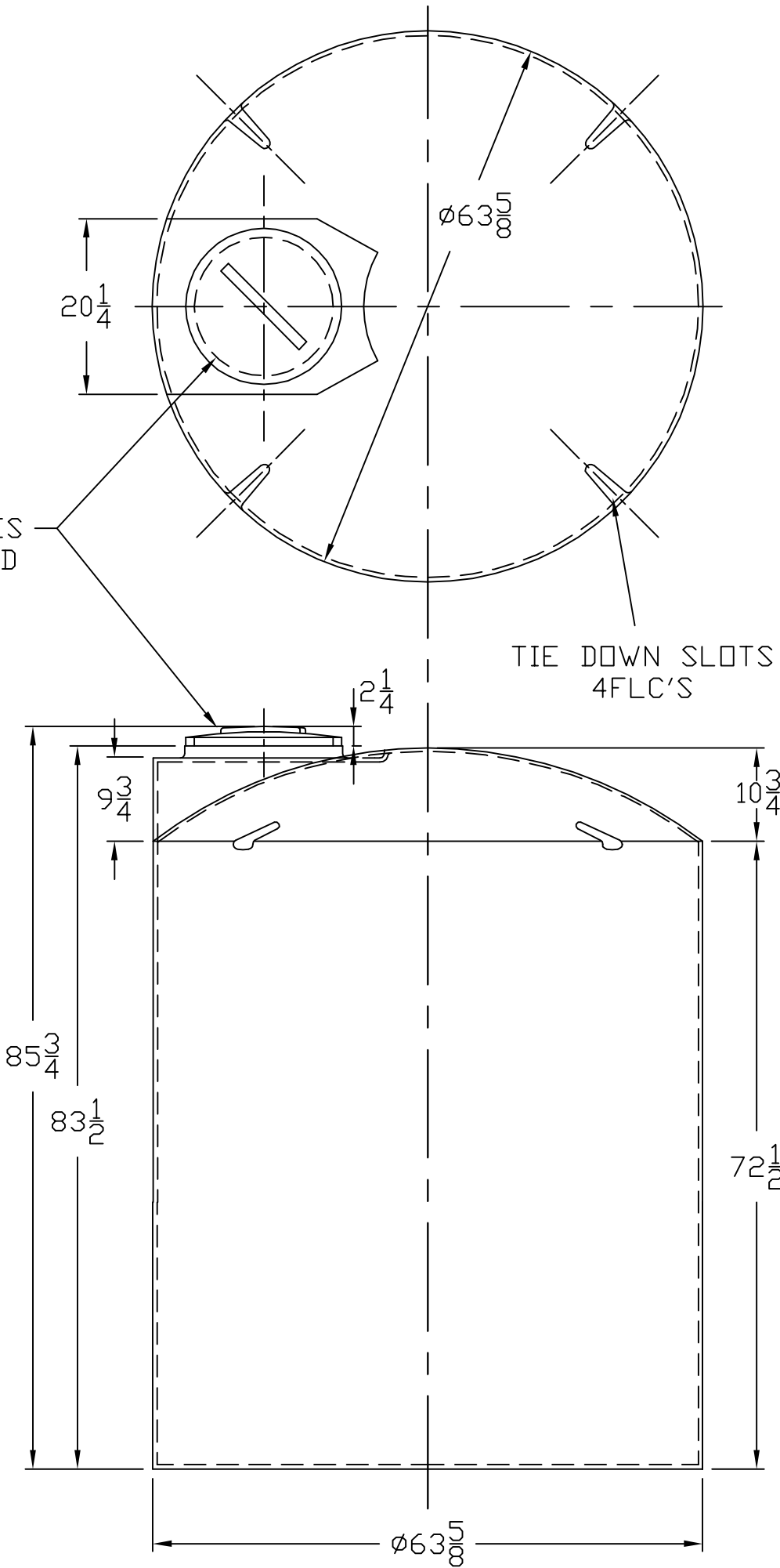


THIS DRAWING & DESIGN IS THE PROPERTY OF CHEM-TAINER INDUSTRIES INC. IT MAY NOT BE USED FOR ANY PURPOSE OTHER THAN BY THE OWNER. CHEM-TAINER DOES NOT AUTHORIZE THE REPRODUCTION OR CONVEYANCE OF ANY INFORMATION CONTAINED HEREIN.

ALL DIMENSIONS SHOWN ARE OUTSIDE PART DIMENSIONS IN INCHES, AND VARY BY THE STANDARD ROTATIONAL MOLDING TOLERANCE OF ±2%.



GALS.
900
800
700
600
500
400
300
200
100
0

Rev. 1	Date 05/16/00	File Name IA6481-1
<b>CHEM-TAINER</b>		Date 05/16/00
Industries Inc. 361 Neptune Ave. W. Babylon, NY 11704 (631) 661-8300 Fax: (631) 661-8209		Drawn By: IIA
TITLE 1000 GAL. VERTICAL BULK STORAGE TANK		Mold Location FL
Part # TC6481IA/IC	Dwg. # C-6481-13	Cust. Rep.