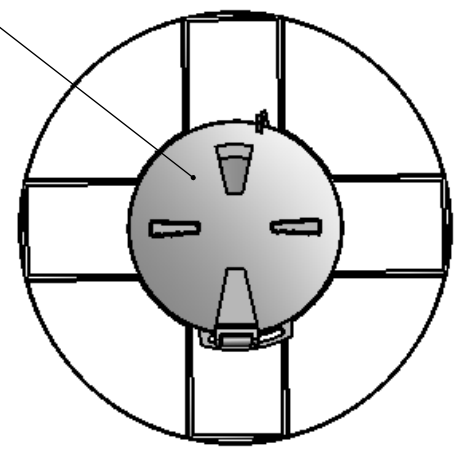


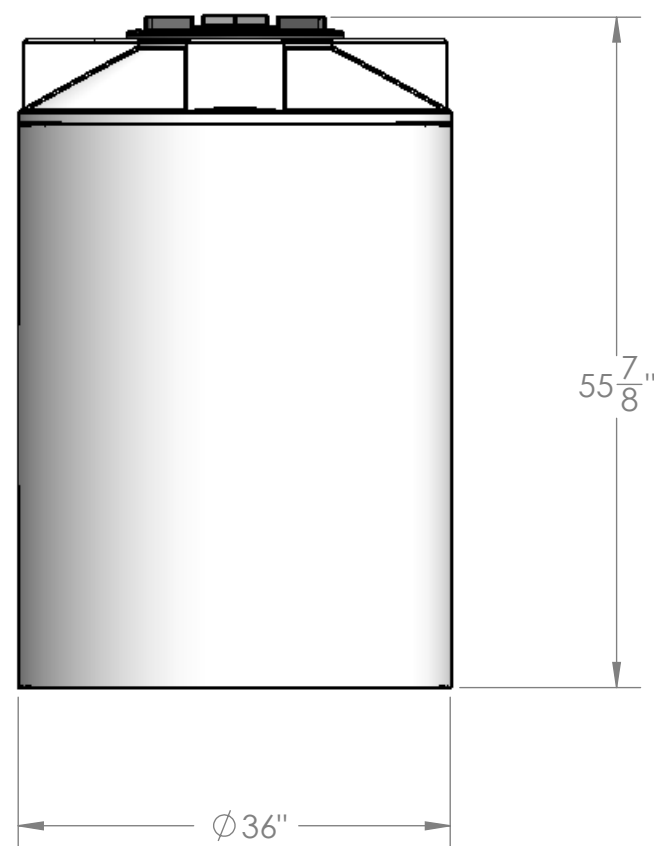
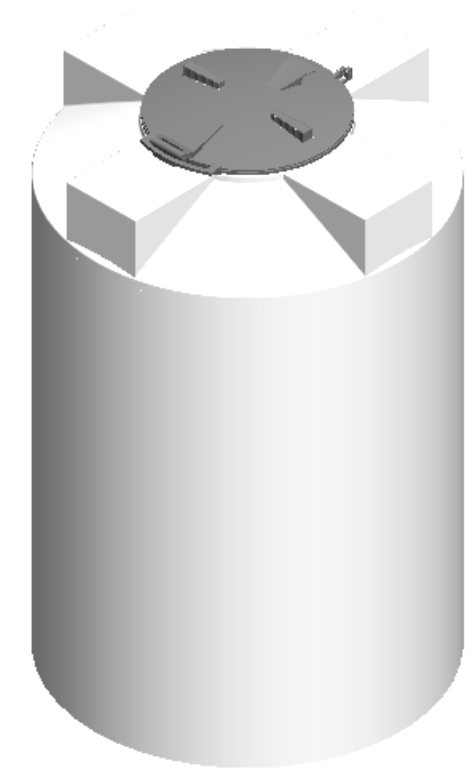
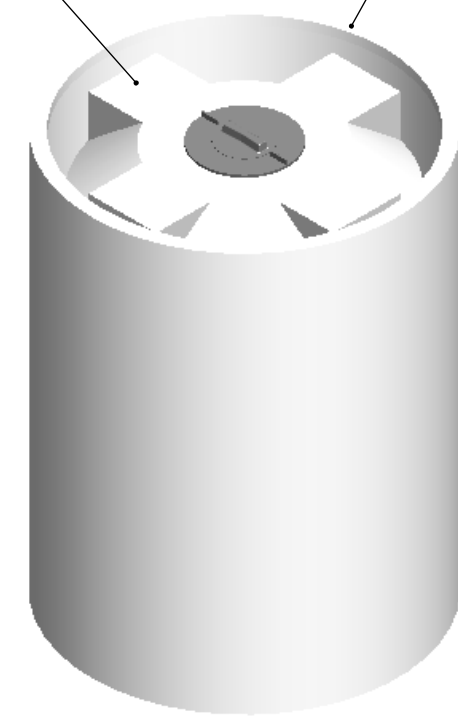
8 7 6 5 4 3 2 1

16" NON-VENTED LOCKING LID



130 VTHD.

OVER PACK



NOTES:

1. PRIMARY TANK CAPACITY: 130 GALLONS
2. OVERPACK CAPACITY: 200 GALLONS
3. MATERIAL: HDPE
4. SHIPPING WEIGHT: 90 LBS.

**PROPRIETARY AND CONFIDENTIAL**  
 THE INFORMATION CONTAINED IN THIS DRAWING IS THE SOLE PROPERTY OF <INSERT COMPANY NAME HERE>. ANY REPRODUCTION IN PART OR AS A WHOLE WITHOUT THE WRITTEN PERMISSION OF <INSERT COMPANY NAME HERE> IS PROHIBITED.

		UNLESS OTHERWISE SPECIFIED:		NAME	DATE
		DIMENSIONS ARE IN INCHES		DRAWN	EBW 6-24-11
		TOLERANCES:		CHECKED	
		FRACTIONAL ±		ENG APPR.	
		ANGULAR: MACH ± BEND ±		MFG APPR.	
		TWO PLACE DECIMAL ±		Q.A.	
		THREE PLACE DECIMAL ±		COMMENTS:	
		INTERPRET GEOMETRIC TOLERANCING PER:			
		MATERIAL			
		FINISH			
NEXT ASSY	USED ON			TITLE:	
APPLICATION		DO NOT SCALE DRAWING		130 VT ENCAPSULATED	
				SIZE	DWG. NO.
				<b>B</b>	<b>130 VTE</b>
				REV	
				SCALE: 1:16	WEIGHT: SHEET 1 OF 1

8 7 6 5 4 3 2 1