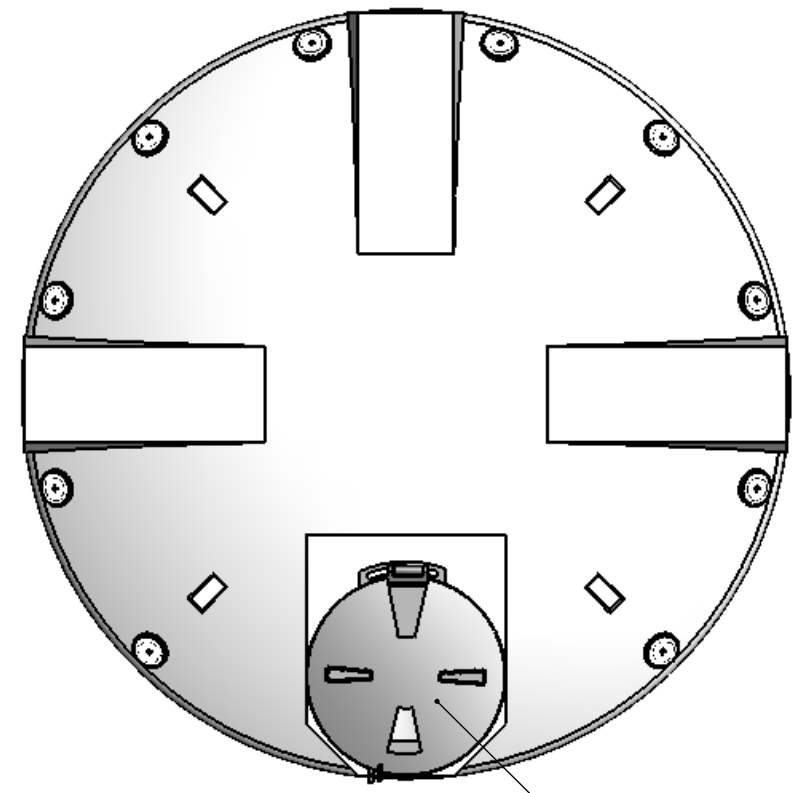


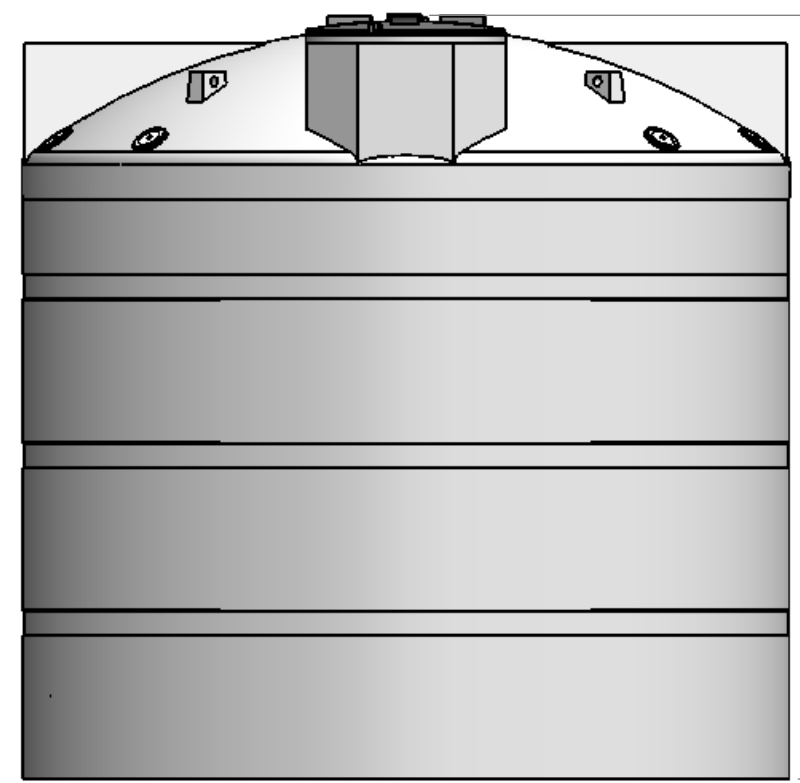
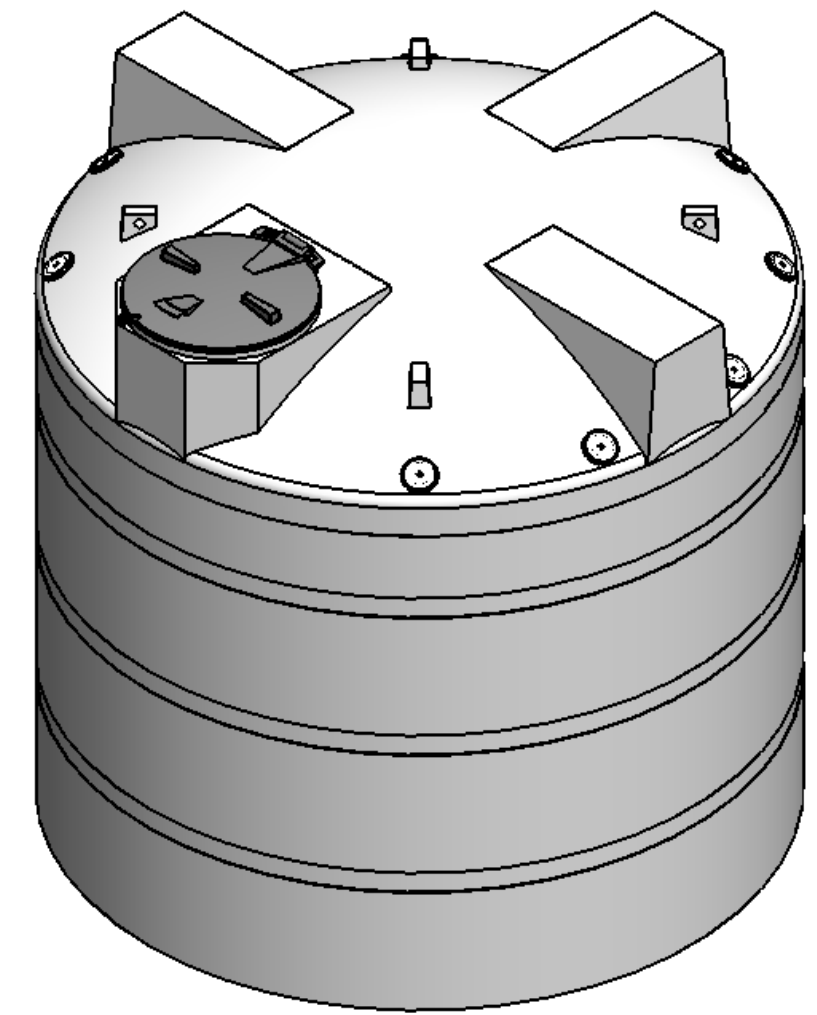
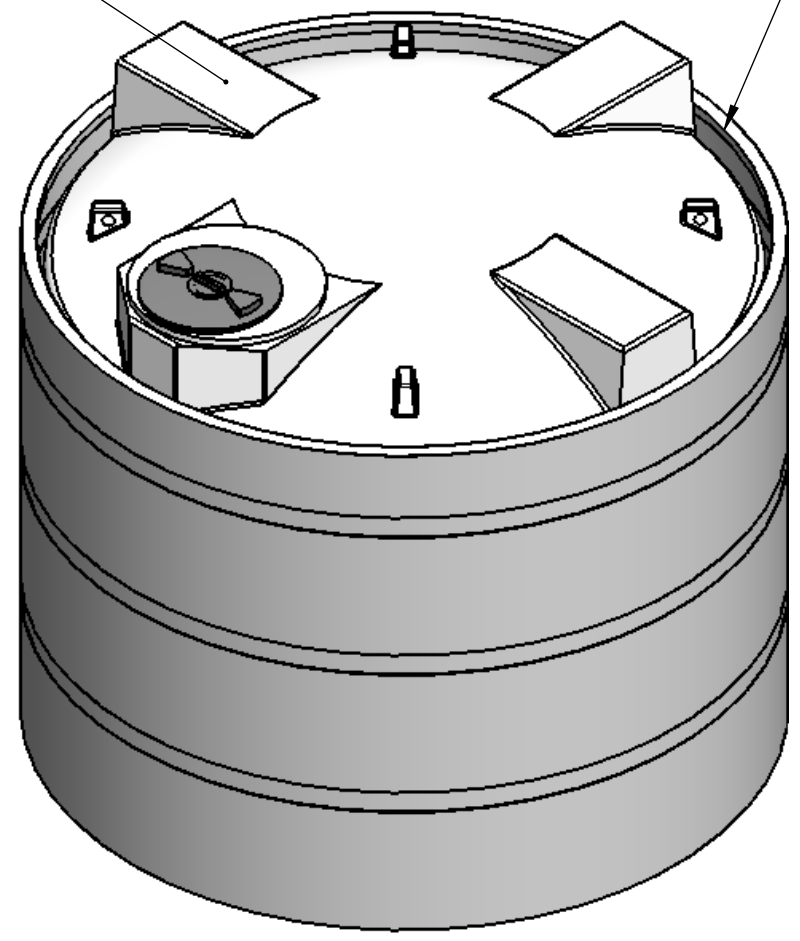
D
C
B
A



24" NON-VENTED LOCKING LID

2000 VTHD

OVER PACK



95 1/2"

Ø96"

NOTES:

1. MATERIAL: HDPE
2. PRIMARY TANK: 2000 GALLON CAPACITY
3. OVERPACK: 2200 GALLON CAPACITY
4. SHIPPING WT. : 1160 LBS.

PROPRIETARY AND CONFIDENTIAL
 THE INFORMATION CONTAINED IN THIS DRAWING IS THE SOLE PROPERTY OF <INSERT COMPANY NAME HERE>. ANY REPRODUCTION IN PART OR AS A WHOLE WITHOUT THE WRITTEN PERMISSION OF <INSERT COMPANY NAME HERE> IS PROHIBITED.

		UNLESS OTHERWISE SPECIFIED:		NAME	DATE
		DIMENSIONS ARE IN INCHES		DRAWN	EBW 8-17-11
		TOLERANCES:		CHECKED	
		FRACTIONAL ±		ENG APPR.	
		ANGULAR: MACH ± BEND ±		MFG APPR.	
		TWO PLACE DECIMAL ±		Q.A.	
		THREE PLACE DECIMAL ±		COMMENTS:	
		INTERPRET GEOMETRIC TOLERANCING PER:			
		MATERIAL			
		FINISH			
NEXT ASSY	USED ON				
APPLICATION		DO NOT SCALE DRAWING			
TITLE: 2000 VT ENCAPSULATED					
SIZE	DWG. NO.			REV	
B	2000 VTE				
SCALE: 1:48 WEIGHT:				SHEET 1 OF 1	