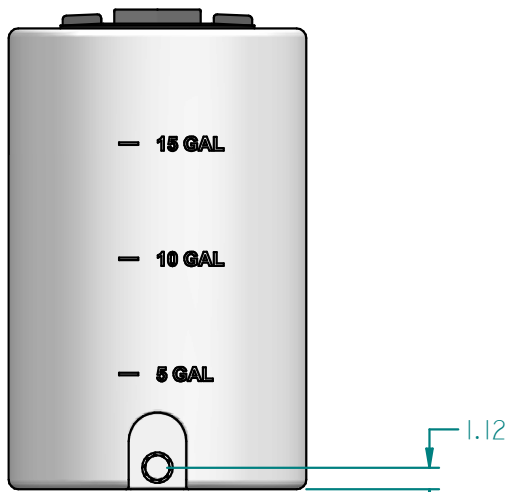
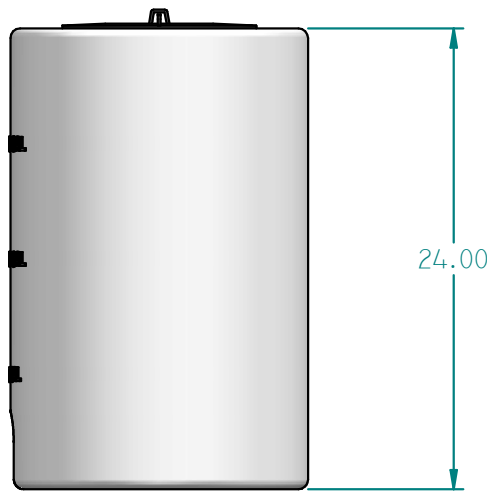


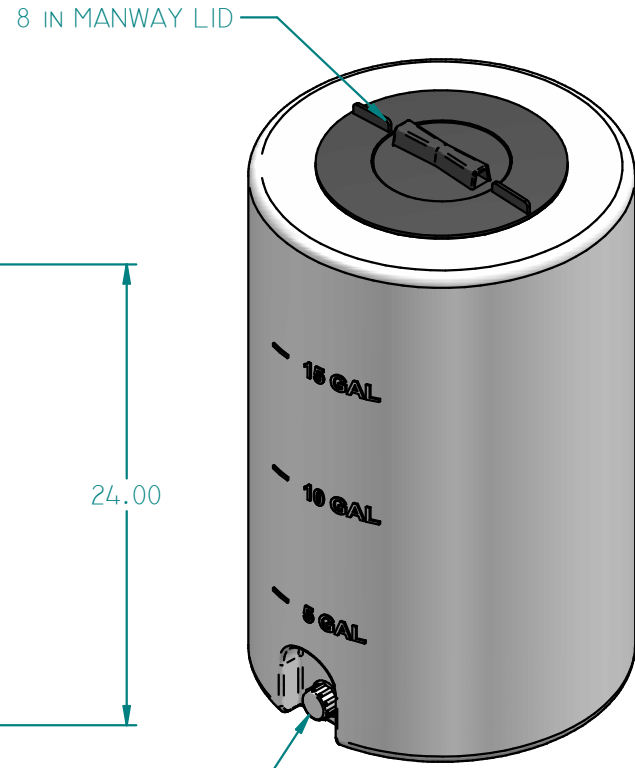
TOP VIEW



FRONT VIEW



SIDE VIEW




ISO VIEW

REVISION HISTORY			
REV	DESCRIPTION	DATE	APPROVED
10	UPDATED DRAWING ACCORDING TO CURRENT TANK	04/15/11	

DRAIN FITTING
GARDEN HOSE THREAD
(OPTIONAL)

WALL THICKNESS: 0.187"

 16160 Hwy 27 Lake Wales, FL 33859												
<table border="1"> <thead> <tr> <th>NAME</th> <th>DATE</th> </tr> </thead> <tbody> <tr> <td>DRAWN MNEGRON</td> <td>5/8/2006</td> </tr> <tr> <td>CHECKED</td> <td></td> </tr> <tr> <td>ENG APPR</td> <td></td> </tr> <tr> <td>MGR APPR</td> <td></td> </tr> </tbody> </table>	NAME	DATE	DRAWN MNEGRON	5/8/2006	CHECKED		ENG APPR		MGR APPR		TITLE 20 GALLONS VERTICAL TANK	
NAME	DATE											
DRAWN MNEGRON	5/8/2006											
CHECKED												
ENG APPR												
MGR APPR												
SIZE A	MATERIAL: HDPE NATURAL	REV 10										
FILE NAME: 900020L.DFT												
PART#: 900020	WEIGHT: 10.0 LBM	SHEET 1 OF 1										

UNLESS OTHERWISE SPECIFIED
DIMENSIONS ARE IN INCHES
ANGLES ±0.5°
2 PL ±0.125" 3 PL ±0.060"