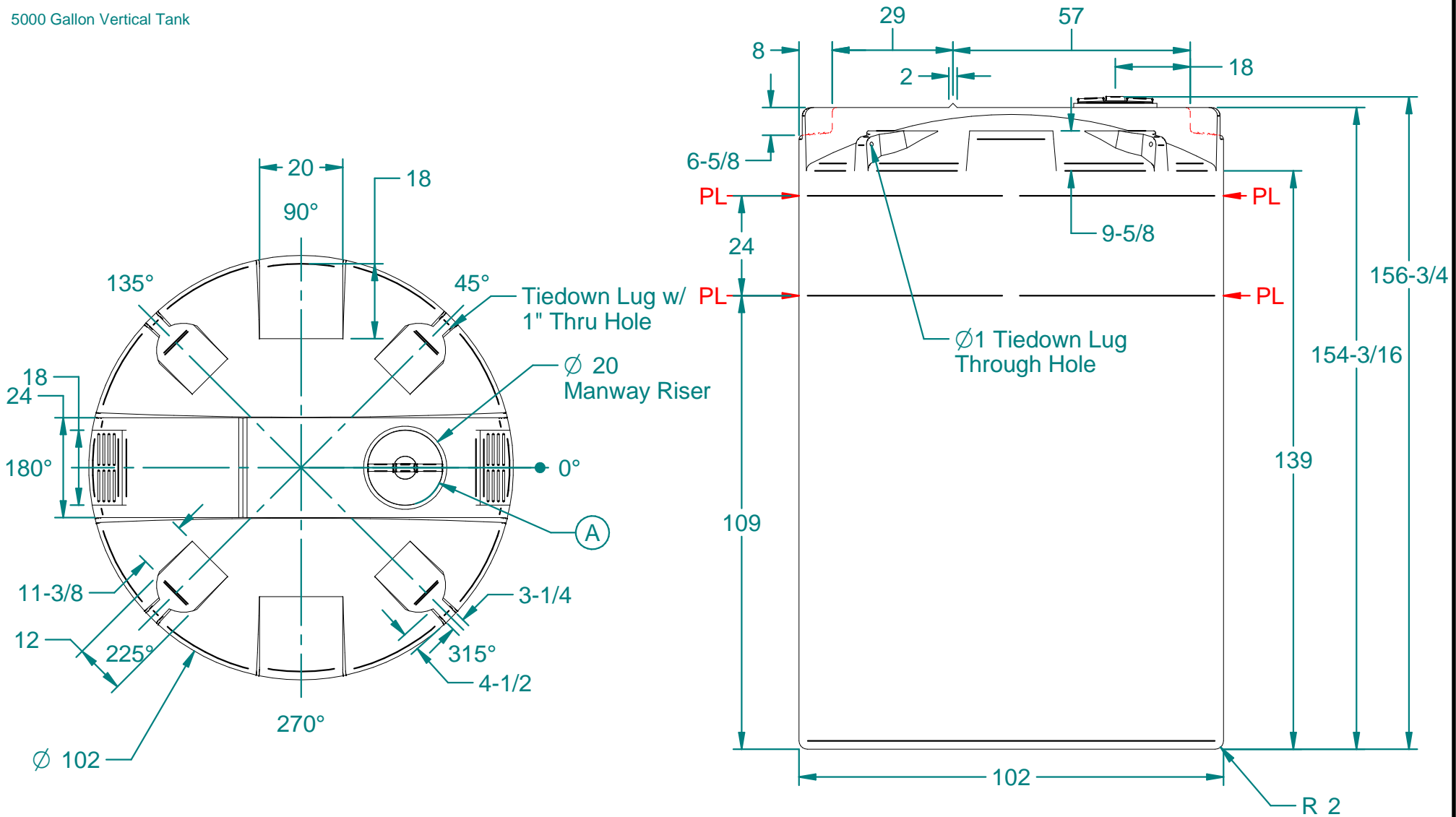



5000 Gallon Vertical Tank



A. 18" HDPE THREADED - VENTED MANWAY W/ 16" ACCESS, BLACK, W/ SS SCREWS (P/N 751016)

TANK FITTINGS TO BE INSTALLED AT TIME OF SHIPMENT AS PER DURA-CAST PROCEDURES

| | | | | |
|---|--|------|-----------|---|
| Weight: Dependent on specific gravity rating | | NAME | DATE |  16160 Hwy 27 Lake Wales, FL. 33859 |
| Wall Thickness: Dependent on specific gravity rating | Drawn By: SARant | | 1/22/2013 | |
| Customer Part No: N/A | Customer APPR | | | Customer: Dura-Cast Products, Inc. |
| Print Date: 4/2/2013 | COPYRIGHT©2012 DURA-CAST PRODUCTS, INC. | | | Part Title: 5000 Gallon Vertical Tank |
| Comments: - UNLESS OTHERWISE SPECIFIED DIMENSIONS ARE IN INCHES - Std Radii 3/16" | UNLESS OTHERWISE SPECIFIED TOLERANCES ARE DIMS > 10" ±1% DIMS < 10" ±0.100 WALL THICKNESS ± 20% FLATNESS ± .030 in/in | | | File Name: 905001 5000 Gallon Vertical Tank.dft |
| | | | | Size: A Material: HDPE 942 Rev: |
| | | | | Part No: 905001-A0200XXI Do Not Scale Sheet: 1 OF 1 |