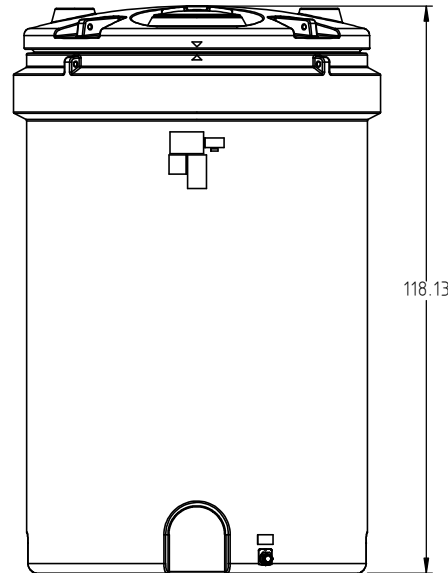
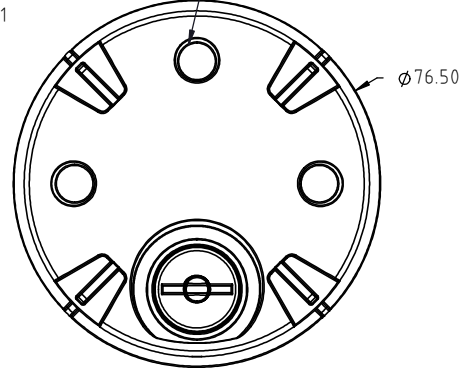
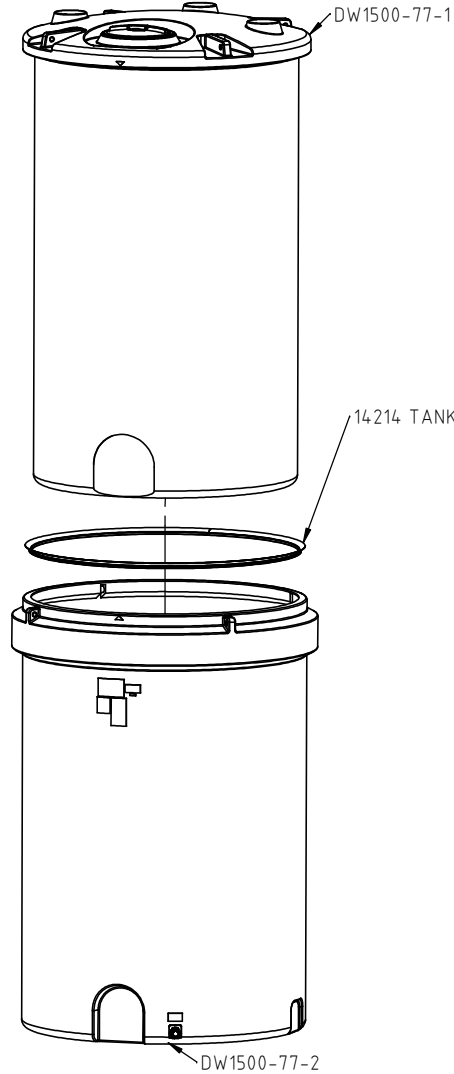


© DEN HARTOG INDUSTRIES, INC.

Copyright. All information furnished within this document, electronic file or design correspondence is the property of Den Hartog Industries, Inc. and shall not be used, disclosed to others or copied without the expressed written consent of Den Hartog Industries, Inc.

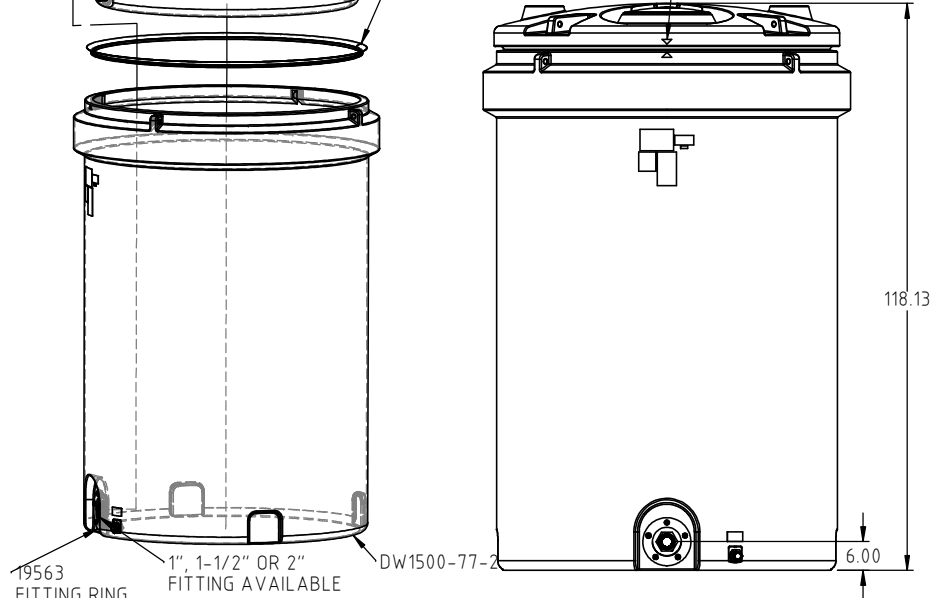
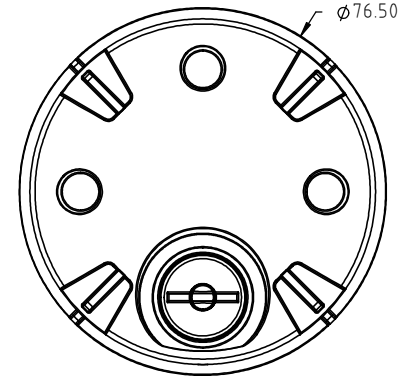
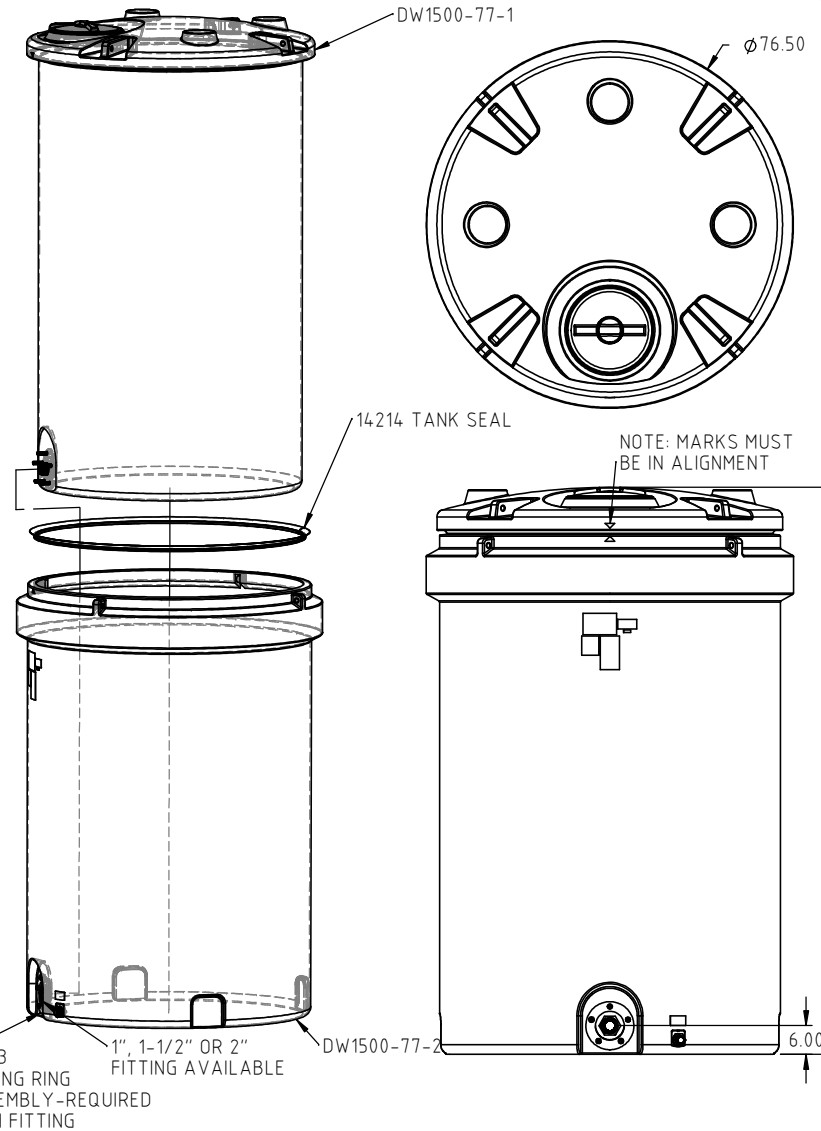
STANDARD TANK ASSEMBLY

3 X 7.5" DIA. FITTING FLATS ON TANK TOP FOR UTILITIES



TANK ASSEMBLY WITH OPTIONAL FITTING

DW1500-77



REV	DESCRIPTION	BY / DATE	CCN	DRAWN / DATE ADH 8/8/14	MATERIAL SEE NOTE 1.
				APPRO. / DATE REH 8/22/14	
	ALL DIMENSIONS ARE IN DECIMAL INCHES TOLERANCES UNLESS OTHERWISE SPECIFIED	THIRD ANGLE PROJECTION ANSI 14.5M	SHOT WEIGHT:	NOTES: 1.) REFERENCE COMPONENT PRINTS FOR DETAILS 2.) PATENT PENDING	
	POLYETHYLENE ±1% @ 68°F		SHIPPING WEIGHT: STANDARD = 673 LBS.	DESCRIPTION 1500 GALLON DUAL LINE™ TANK ASSEMBLY	
	METAL DECIMAL ± .125" FRACTION ± 1/4" ANGLE ± 1°		FINISH:	SCALE N.S.	PART NO. DW1500-77



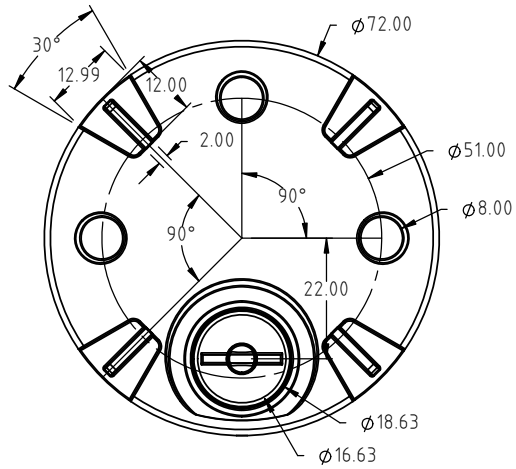
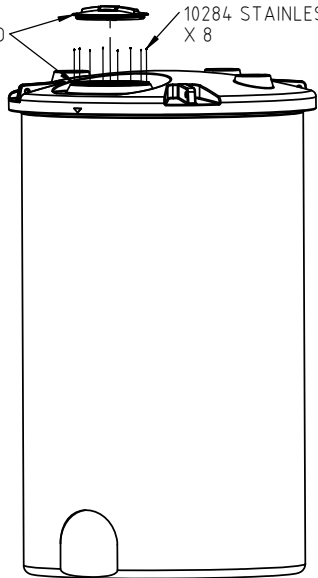
Den Hartog
INDUSTRIES, INC.

Ace Roto-Mold Injection Molding Blow Molding Sowjoy

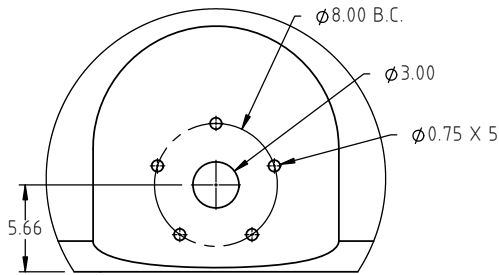
4010 HOSPERS DRIVE S. BOX 425, HOSPERS, IOWA 51238-0425

Copyright. All information furnished within this document, electronic file or design correspondence is the property of Den Hartog Industries, Inc. and shall not be used, disclosed to others or copied without the expressed written consent of Den Hartog Industries, Inc.

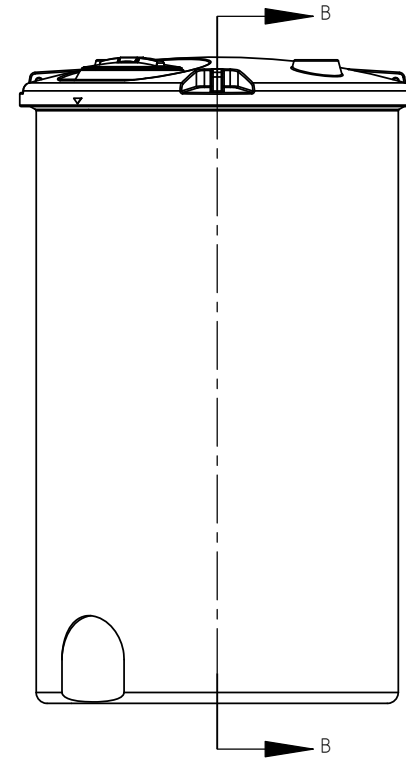
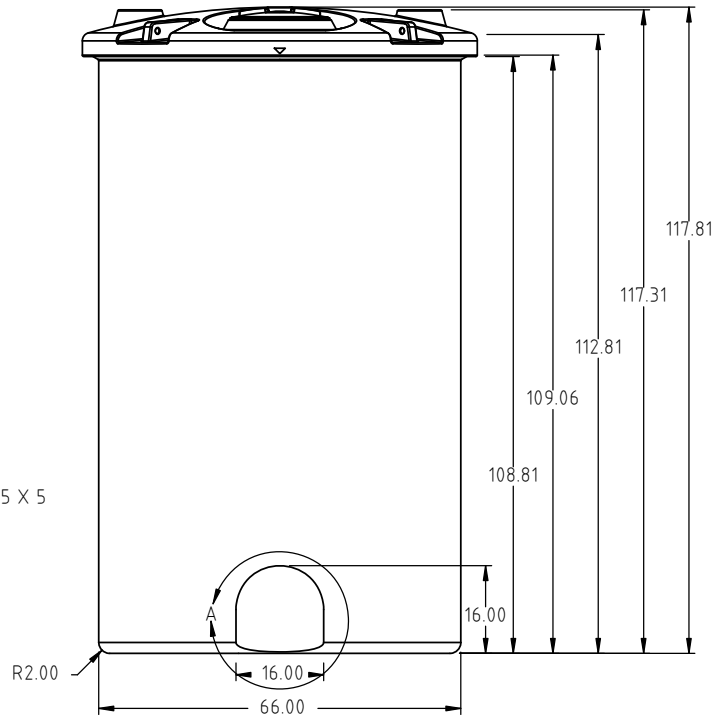
10528 16" LID
10284 STAINLESS STEEL SCREW X 8



FITTING OPTIONAL



DETAIL A
SCALE 2:25



SEE SHEET
2 OF 2 FOR
DETAILS

				DRAWN / DATE ADH 10/16/12	MATERIAL 10420
				APPRD. / DATE REH 8/22/14	
REV	DESCRIPTION	BY / DATE	CCN	SHOT WEIGHT: 350 LBS.	NOTES: 1.) 0.32 NOM. WALL THICKNESS 2.) PATENT PENDING
	ALL DIMENSIONS ARE IN DECIMAL INCHES TOLERANCES UNLESS OTHERWISE SPECIFIED POLYETHYLENE			SHIPPING WEIGHT: 352 LBS.	
	±1% @ 68°F	THIRD ANGLE PROJECTION ANSI 14.5M		FINISH:	

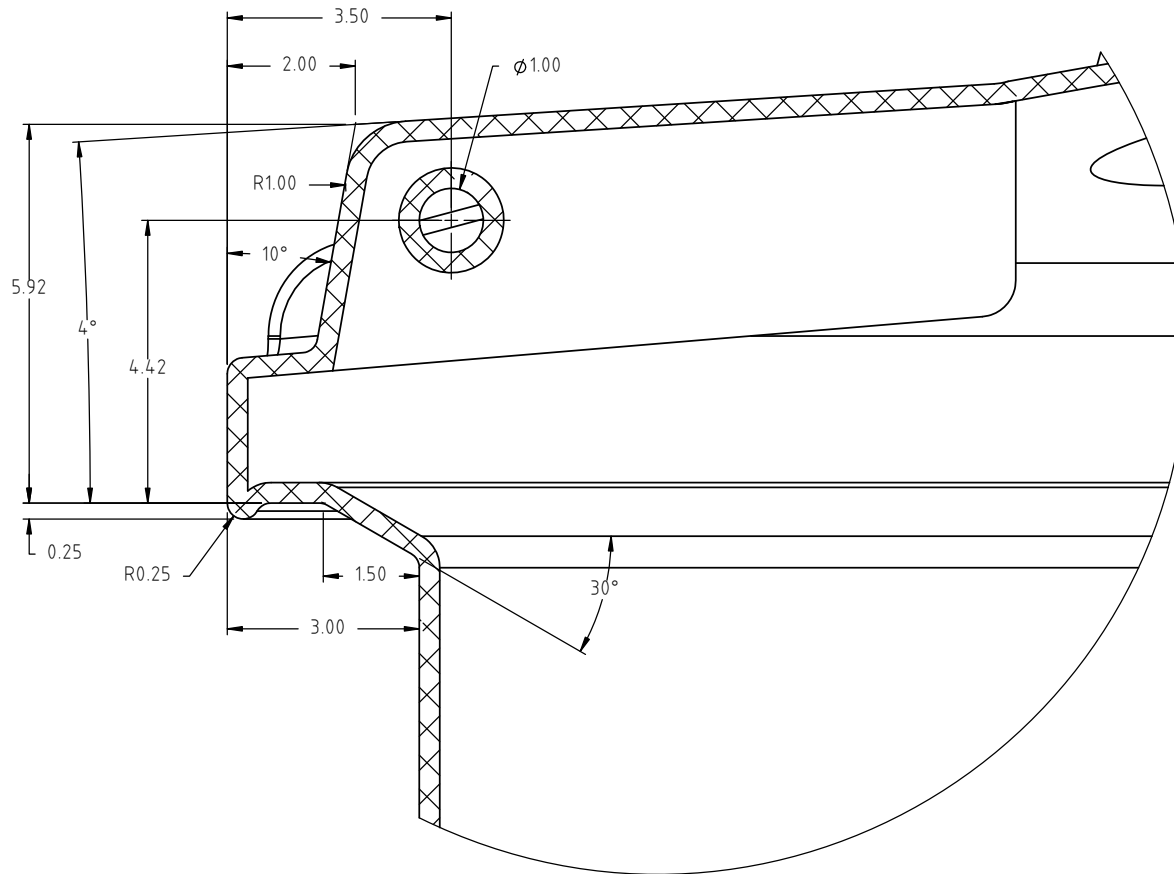


Den Hartog
INDUSTRIES, INC.

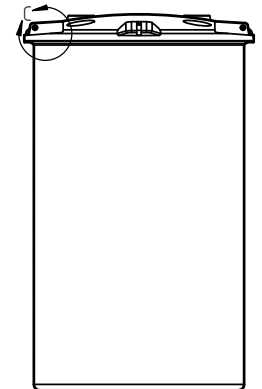
Ace Roto-Mold Injection Molding Blow Molding Sowjoy

4010 HOSPERS DRIVE S. BOX 425, HOSPERS, IOWA 51238-0425

DESCRIPTION 1500 GALLON DUAL LINE™ TANK-INNER TANK-1 OF 2	
SCALE N.S.	PART NO. DW1500-77-1



DETAIL C
SCALE 1:3



SECTION D-D

SCALE 1:60

				DRAWN / DATE ADH 10/16/12	MATERIAL
				APPRD. / DATE XXXX	
REV	DESCRIPTION	BY / DATE	CCN	SHOT WEIGHT:	NOTES: 1.) PATENT PENDING
				SHIPPING WEIGHT:	
				FINISH:	
ALL DIMENSIONS ARE IN DECIMAL INCHES TOLERANCES UNLESS OTHERWISE SPECIFIED		THIRD ANGLE PROJECTION ANSI 14.5M			
POLYETHYLENE ±1% @ 68°F					
METAL DECIMAL ± .125" FRACTION ± 1/4" ANGLE ± 1°					



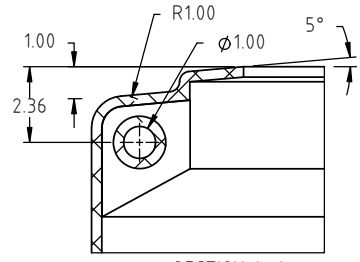
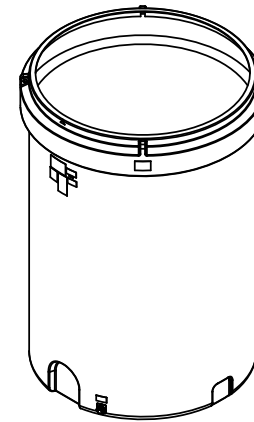
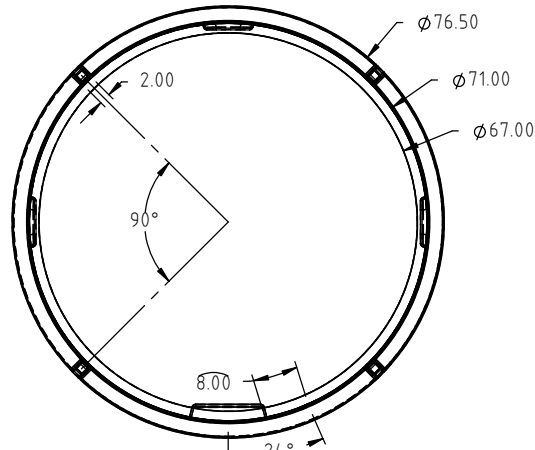
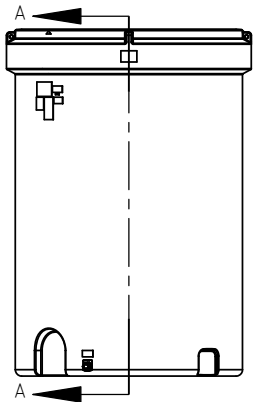
Den Hartog
INDUSTRIES, INC.

Ace Roto-Mold Injection Molding Blow Molding Sowjoy

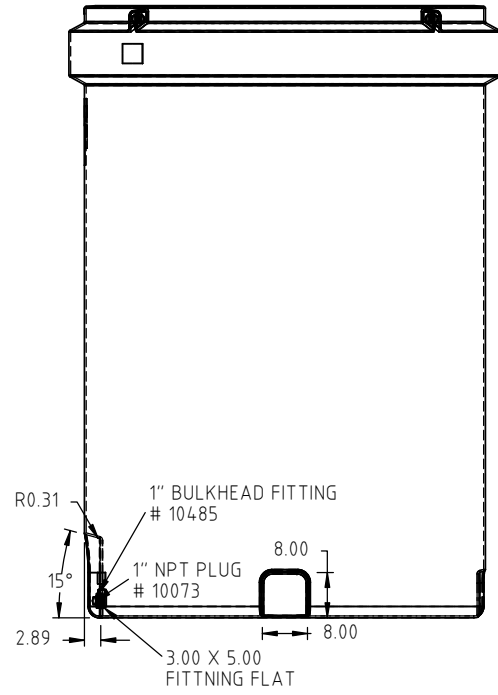
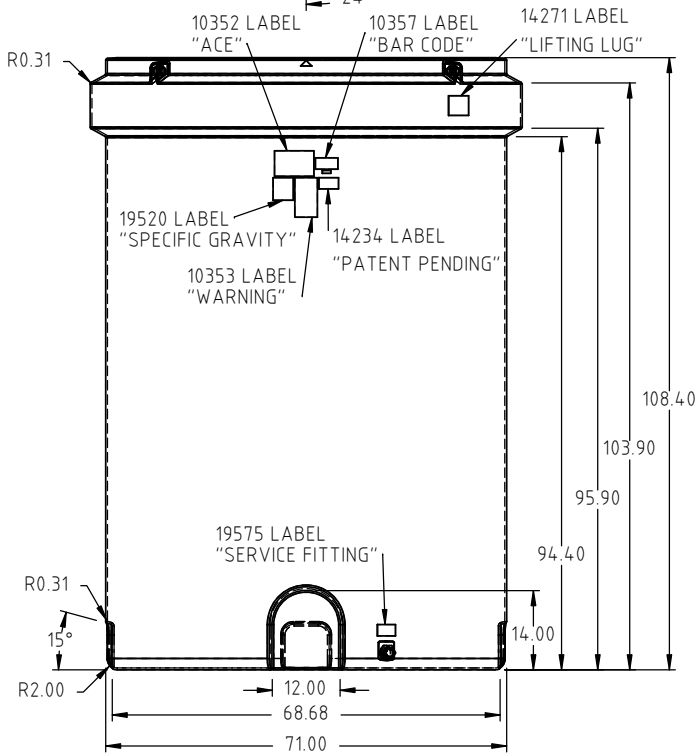
4010 HOSPERS DRIVE S. BOX 425, HOSPERS, IOWA 51238-0425

DESCRIPTION 1500 GALLON DUAL LINET™ TANK-INNER TANK- 2 OF 2	
SCALE N.S.	PART NO.

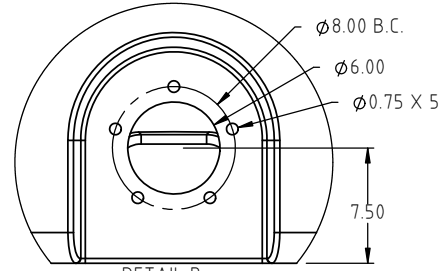
Copyright. All information furnished within this document, electronic file or design correspondence is the property of Den Hartog Industries, Inc. and shall not be used, disclosed to others or copied without the expressed written consent of Den Hartog Industries, Inc.



SECTION A-A
SCALE 1:6



FITTING OPTIONAL



DETAIL B
SCALE 2:25

REV	DESCRIPTION	BY / DATE	CCN	DRAWN / DATE ADH 2/18/14	MATERIAL 10420
				APPRD. / DATE REH 8/22/14	
				SHOT WEIGHT: 339 LBS.	NOTES: 1.) 0.34 NOM. WALL THICKNESS 2.) PATENT PENDING
				SHIPPING WEIGHT: 309 LBS.	
				FINISH:	



Den Hartog

INDUSTRIES, INC.

Ace Roto-Mold Injection Molding Blow Molding Sowjoy

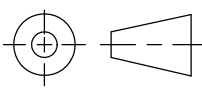
4010 HOSPERS DRIVE S. BOX 425, HOSPERS, IOWA 51238-0425

DESCRIPTION	1500 GALLON DUAL LINE™ TANK- OUTER TANK	
SCALE	N.S.	PART NO. DW1500-77-2

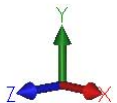
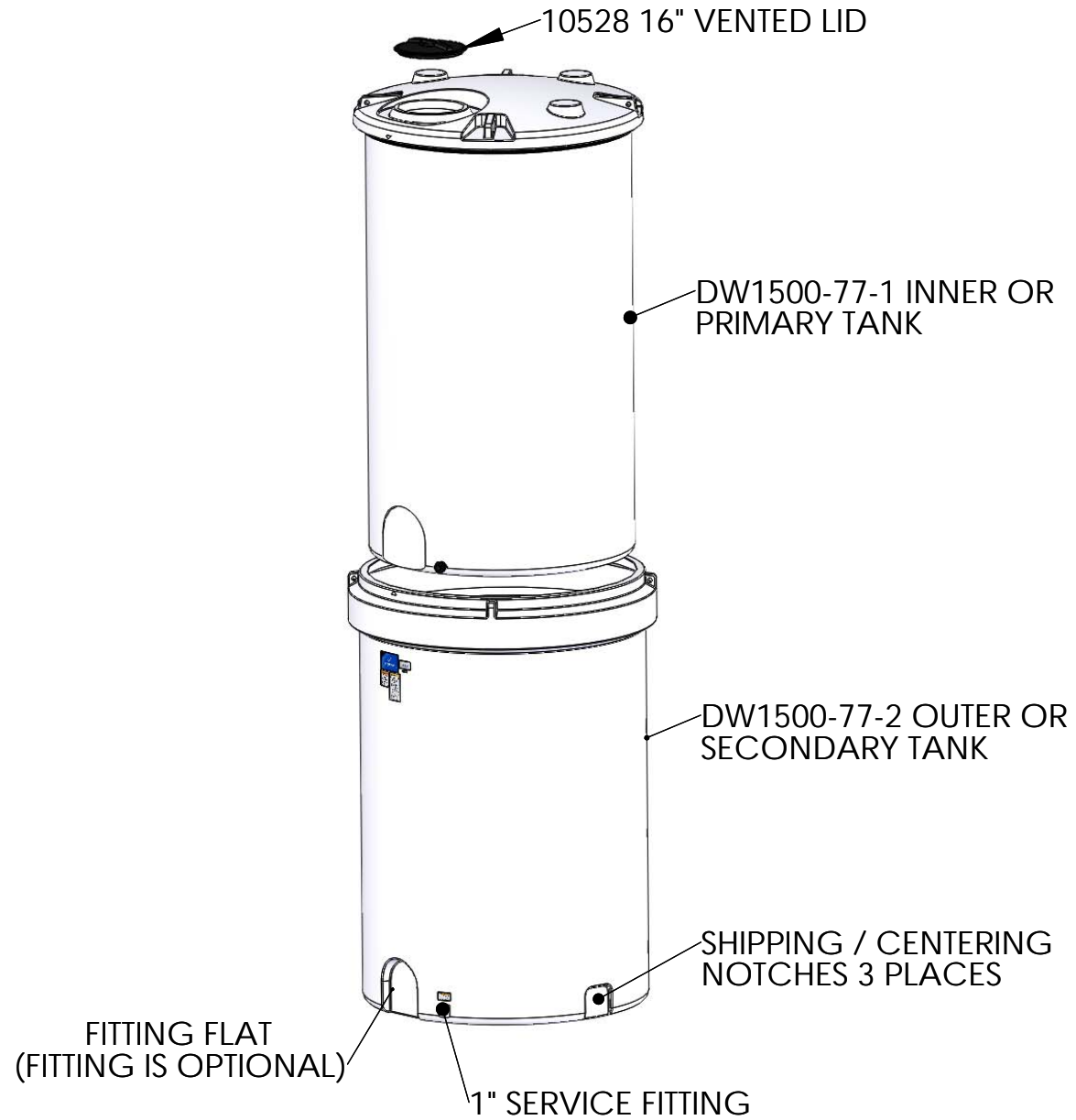
ALL DIMENSIONS ARE IN DECIMAL INCHES TOLERANCES UNLESS OTHERWISE SPECIFIED

POLYETHYLENE METAL
DECIMAL ± .125"
FRACTION ± 1/4"
ANGLE ± 1°
±1% @ 68°F

THIRD ANGLE PROJECTION
ANSI 14.5M



DW1500-77 DOUBLE WALL TANK
STANDARD COMPONENTS

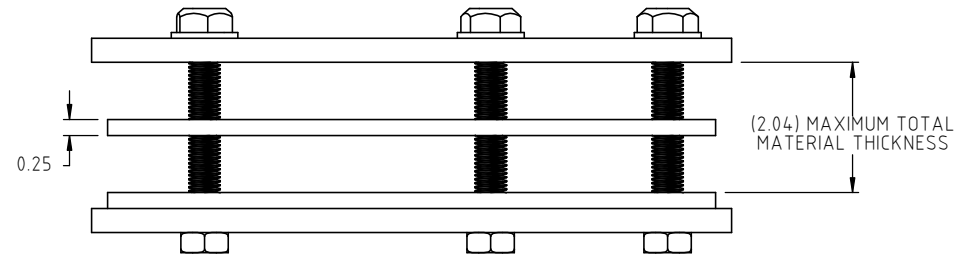
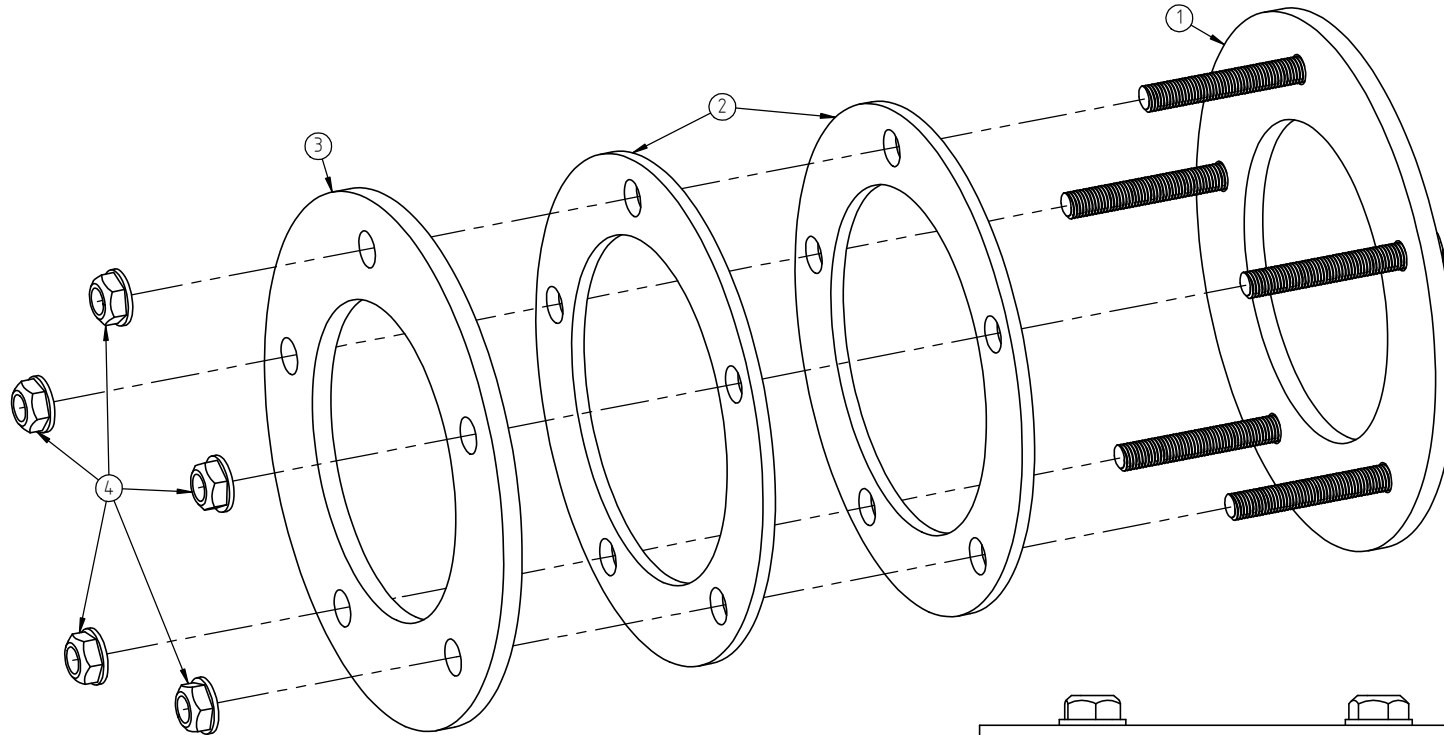


© DEN HARTOG INDUSTRIES, INC.

Copyright. All information furnished within this document, electronic file or design correspondence is the property of Den Hartog Industries, Inc. and shall not be used, disclosed to others or copied without the expressed written consent of Den Hartog Industries, Inc.

KEY	PART NUMBER	DESCRIPTION	QTY.
1	19564	2" FITTING RING WELDMENT	1
2	19555	2" FITTING GASKET	2
3	19566	2" FITTING RING	1
4	19568	NUT, 1/2" SS	5

19563



				DRAWN / DATE ADH 9/26/14	MATERIAL SEE COMPONENTS
				APPRO. / DATE REH 10/29/14	
REV	DESCRIPTION	BY / DATE	CCN	SHOT WEIGHT:	NOTES: 1.) PATENT PENDING
				SHIPPING WEIGHT:	
				FINISH: NONE	



Den Hartog

INDUSTRIES, INC.

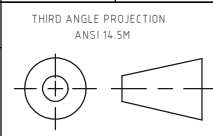
Ace Roto-Mold Injection Molding Blow Molding Sowjoy

4010 HOSPERS DRIVE S. BOX 425, HOSPERS, IOWA 51238-0425

DESCRIPTION 2" DUAL LINE™ TANK FITTING RING ASSEMBLY	
SCALE N.S.	PART NO. 19563

ALL DIMENSIONS ARE IN DECIMAL INCHES
TOLERANCES UNLESS OTHERWISE SPECIFIED

POLYETHYLENE ±1% @ 68°F	METAL DECIMAL ± .125" FRACTION ± 1/4" ANGLE ± 1°
----------------------------	---

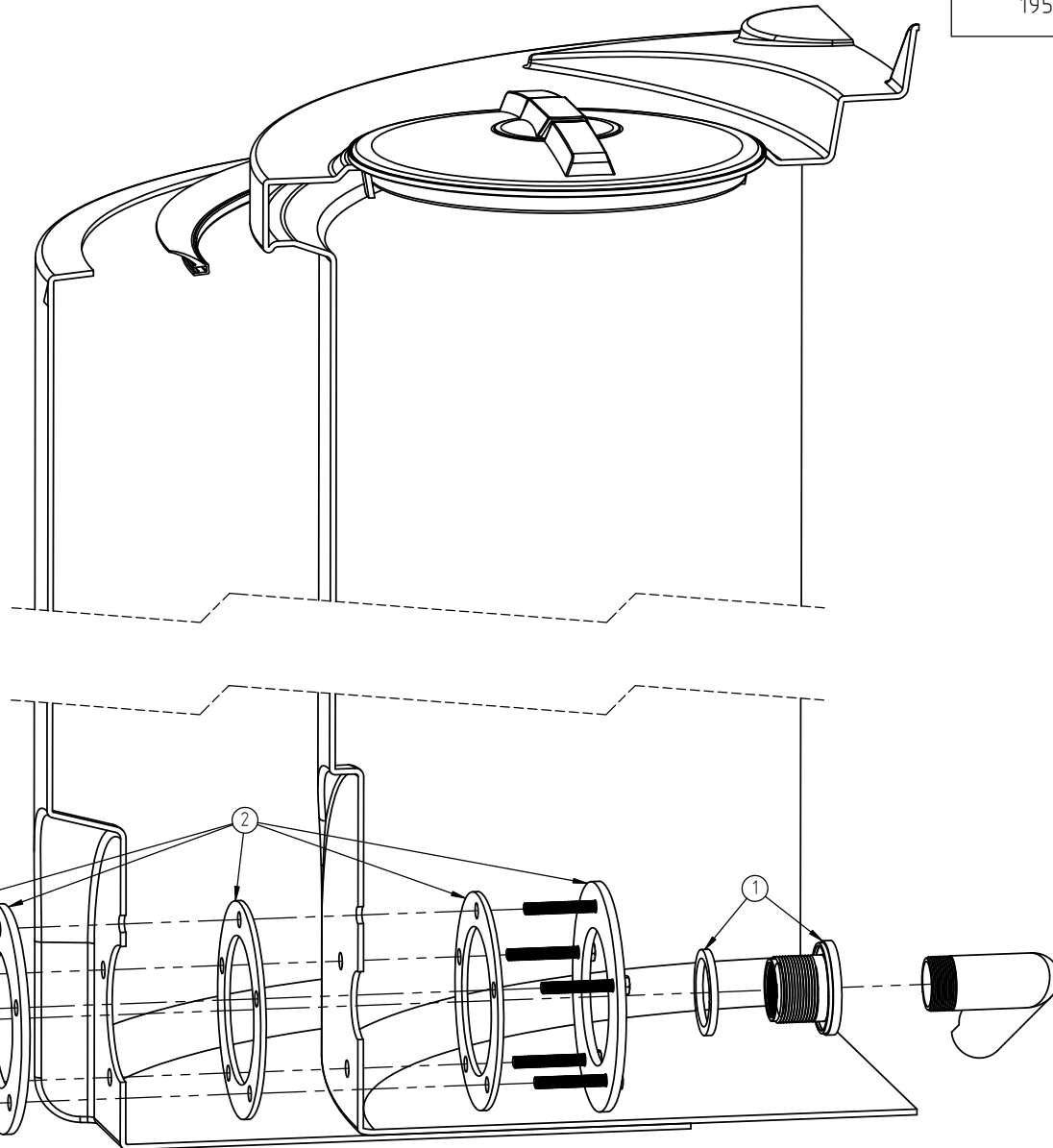


© DEN HARTOG INDUSTRIES, INC.

Copyright. All information furnished within this document, electronic file or design correspondence is the property of Den Hartog Industries, Inc. and shall not be used, disclosed to others or copied without the expressed written consent of Den Hartog Industries, Inc.

19563 INSTALL

KEY	PART NUMBER	DESCRIPTION	QTY.
1	10508	BULKHEAD, 2" FITTING	1
2	19563	2" DOUBLE WALL RING ASSEMBLY	1
3	10488		1



				DRAWN / DATE ADH 10/16/13	MATERIAL
				APPRD. / DATE REH 10/29/14	
REV	DESCRIPTION	BY / DATE	CCN	SHOT WEIGHT:	NOTES:
				SHIPPING WEIGHT:	1) PATENT PENDING
				FINISH:	
ALL DIMENSIONS ARE IN DECIMAL INCHES TOLERANCES UNLESS OTHERWISE SPECIFIED		THIRD ANGLE PROJECTION ANSI 14.5M			
POLYETHYLENE ±1% @ 68°F					
METAL DECIMAL ± .125" FRACTION ± 1/4" ANGLE ± 1°					



Den Hartog
INDUSTRIES, INC.

Ace Roto-Mold Injection Molding Blow Molding Sowjoy

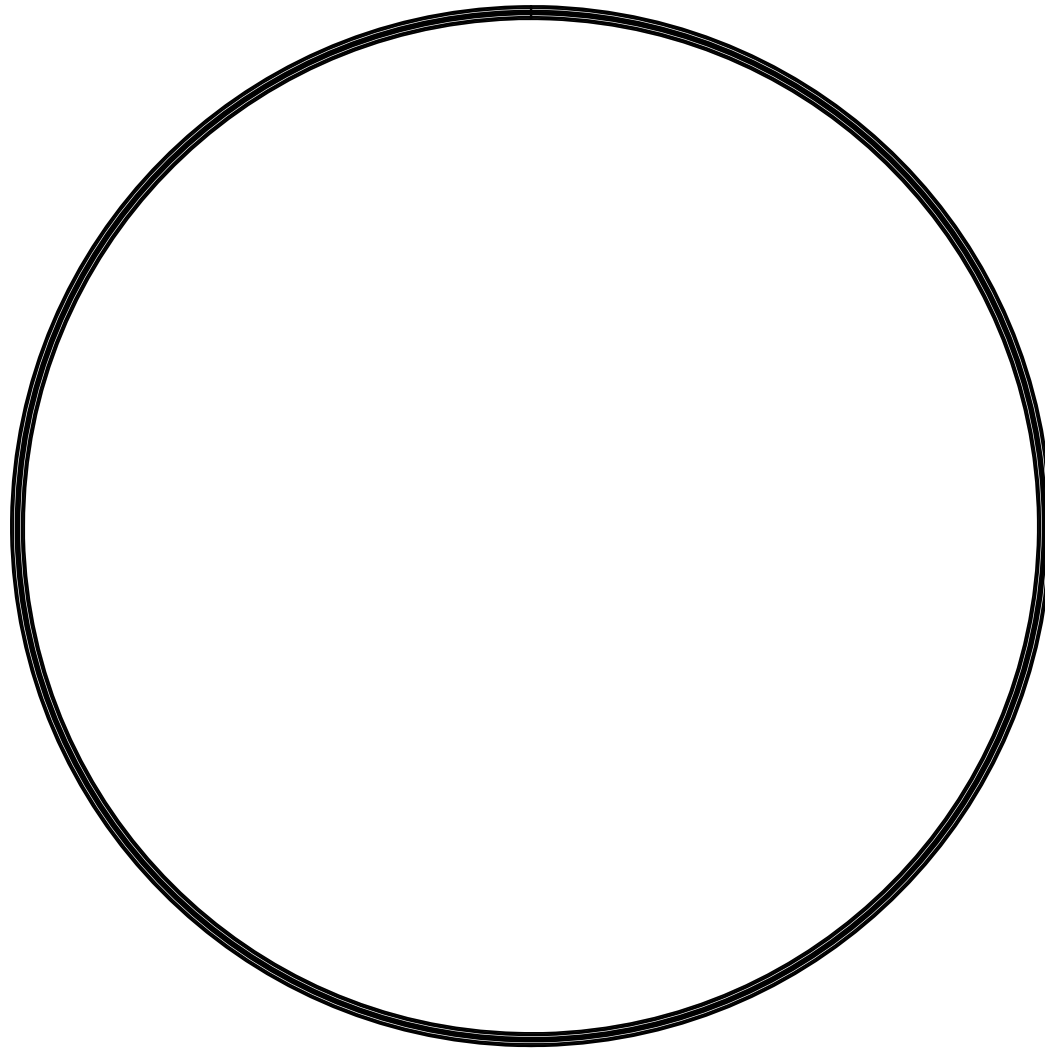
4010 HOSPERS DRIVE S. BOX 425, HOSPERS, IOWA 51238-0425


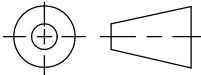
DESCRIPTION	OPTIONAL 2" FITTING ASSEMBLY INSTALLATION	
SCALE	N.S.	PART NO.
		19563 INSTALL

© DEN HARTOG INDUSTRIES, INC.

Copyright. All information furnished within this document, electronic file or design correspondence is the property of Den Hartog industries, Inc. and shall not be used, disclosed to others or copied without the expressed written consent of Den Hartog Industries, Inc.

14214



				DRAWN / DATE ADH 7/14/14	MATERIAL EPDM	 <p>Den Hartog INDUSTRIES, INC.</p> <p>Ace Roto-Mold Injection Molding Blow Molding Sowjoy</p> <p>4010 HOSPERS DRIVE S. BOX 425, HOSPERS, IOWA 51238-0425</p>
				APPROD. / DATE REH 10/30/14		
REV	DESCRIPTION	BY / DATE	CCN			
ALL DIMENSIONS ARE IN DECIMAL INCHES TOLERANCES UNLESS OTHERWISE SPECIFIED POLYETHYLENE		THIRD ANGLE PROJECTION ANSI 14.5M 		SHOT WEIGHT:	NOTES: 1.) PURCHASED 2.) 210.50 IN LENGTH 3.) PATENT PENDING	DESCRIPTION 77 INCH DIAMETER DUAL LINE™ TANK- GASKET
±1% @ 68°F	METAL DECIMAL ± .125" FRACTION ± 1/4" ANGLE ± 1°			SHIPPING WEIGHT:		SCALE N.S.