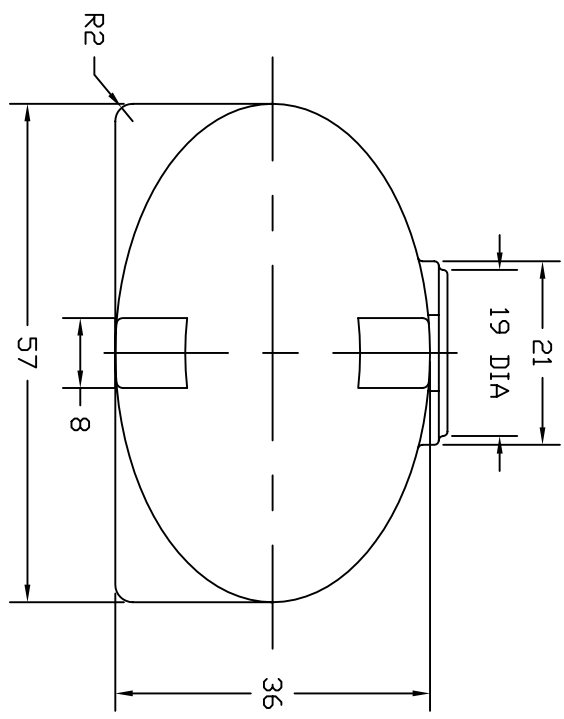
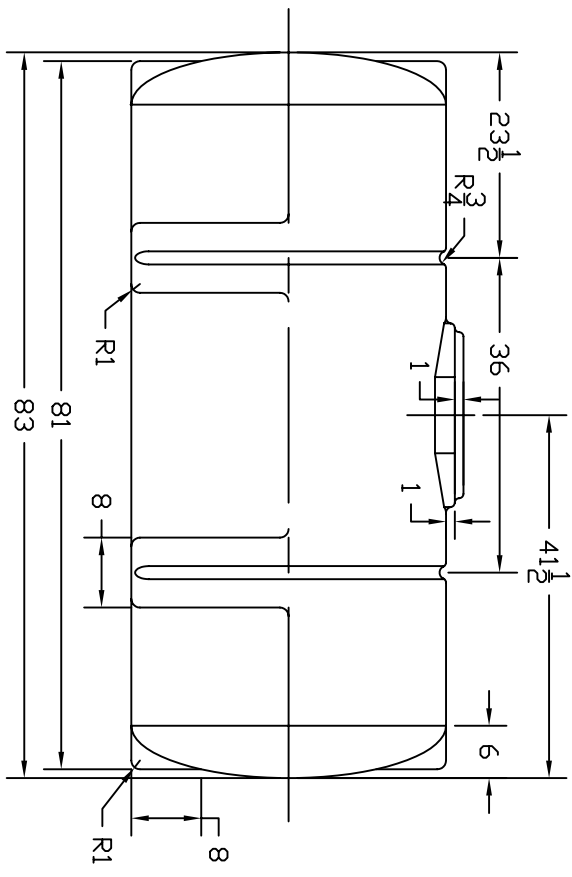


FILLWELL DETAIL  
1/12 SCALE



REVISIONS				
ZONE	REV	DESCRIPTION	DATE	APPROVED

		ST. BONIFACIUS, MN	
		535 GALLON	
JTP		23FEB06	
SIZE	FSCM NO.	DWG NO.	REV
B		42353	
SCALE 1/16		SHEET	