

PART # 18H QTY.

Directions:

1. Enter the Part Name/Number and Description
2. Enter Length, Width and Height and note U.S. or metric Units of Measu
3. Use the fitting images to indicate location of hidden or visible fitting(s)

○ INDICATES A HIDDEN FITTING

● INDICATED A VISIBLE FITTING

4. We will contact you to discuss the type of fitting to be installed

THIS TANK WILL BE USED FOR:

BOAT RV

OTHER:

IT WILL CONTAIN:

NAME:

COMPANY:

PHONE:

FAX:

EMAIL:

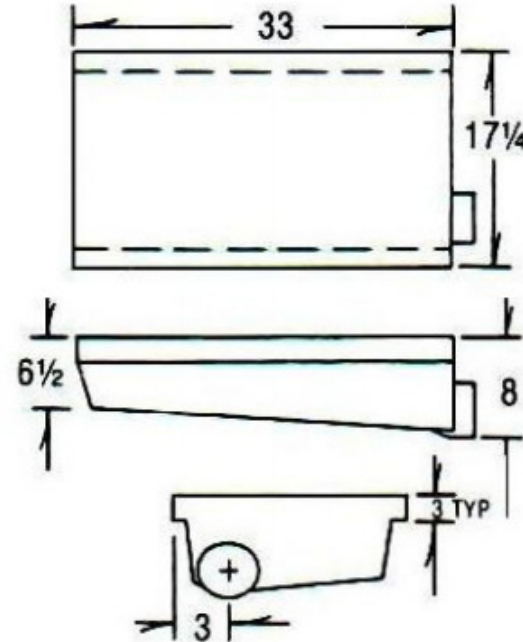
SHIP TO ADDRESS:

SHIP TO PHONE:

SHIP TO:

COMMERCIAL

RESIDENTIAL



PLEASE INCLUDE SIZE AND DIMENSION MEASUREMENTS
(IN INCHES) WHEN LOCATING FITTINGS ON TANK

○ HIDDEN FITTING

● VISIBLE FITTING

THIS TANK IS NOT INTENDED FOR FUEL USE